

SIEMENS

Presence detector WIDE DualTech

Präsenzmelder WIDE DualTech

Détecteur de présence WIDE DualTech

Detector de presencia WIDE DualTech

Sensor de presença WIDE DualTech

Rilevatore di presenza WIDE DualTech

Varlık dedektörü WIDE DualTech

Датчик присутствия WIDE DualTech

存在性検測器 WIDE DualTech



5WG1258-2DB61



Operating Instructions Betriebsanleitung
Instruções de Serviço İşletme kılavuzu

Notice d'utilisation
Руководство по эксплуатации

Instructivo
Bedieningshandleiding

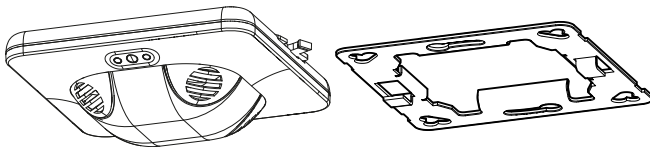
Istruzioni operative

使用说明

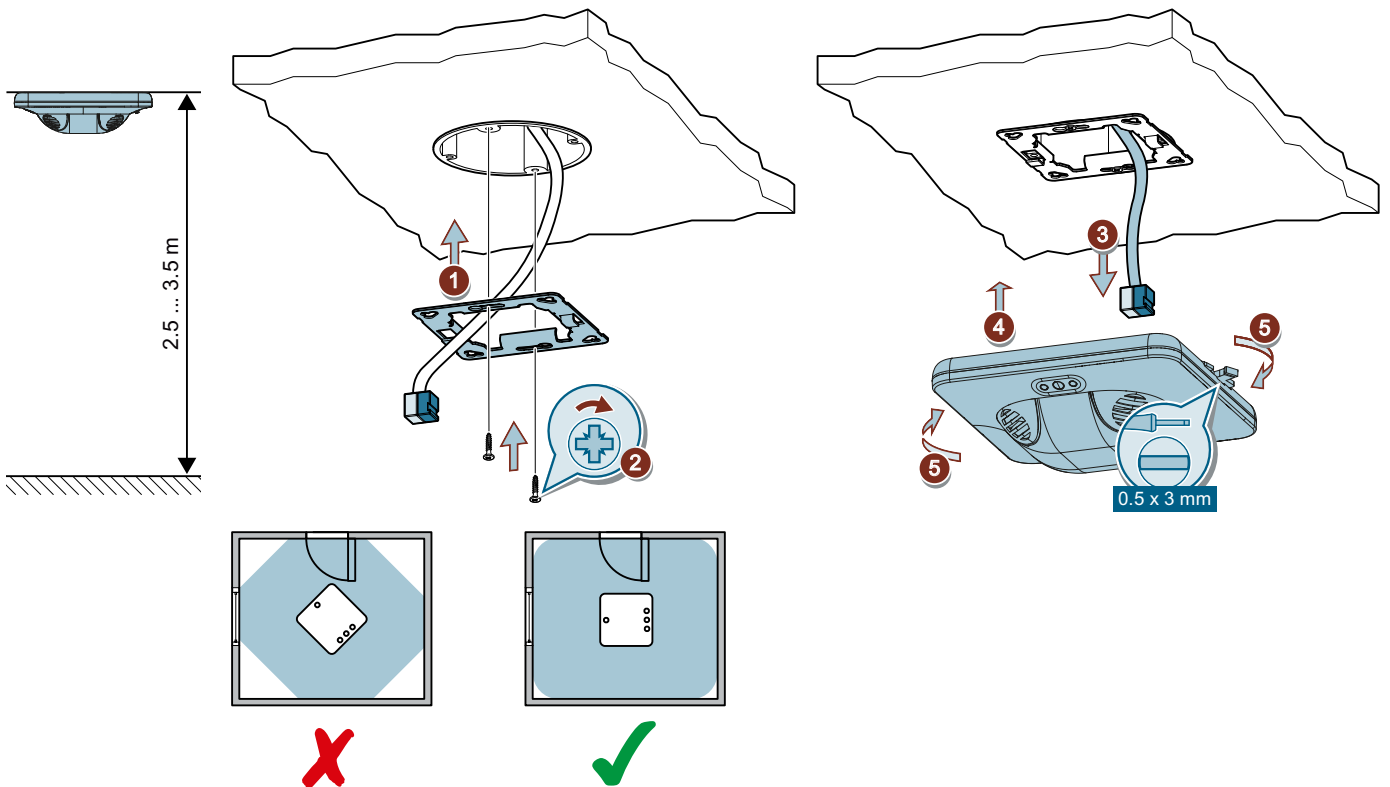


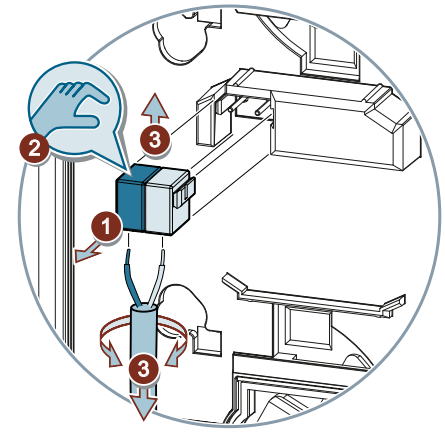
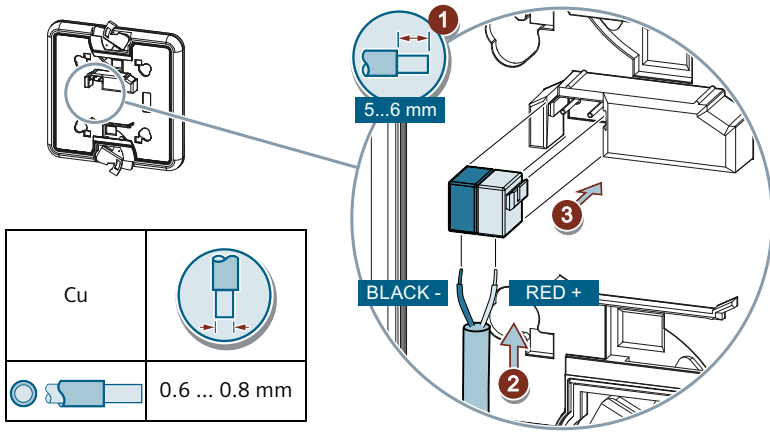
Contents / Lieferumfang / Etendue de la livraison /
Contenido / 供货范围

Required tools / Notwendige Werkzeuge /
Outils nécessaires / Herramientas requeridas / 必要工具

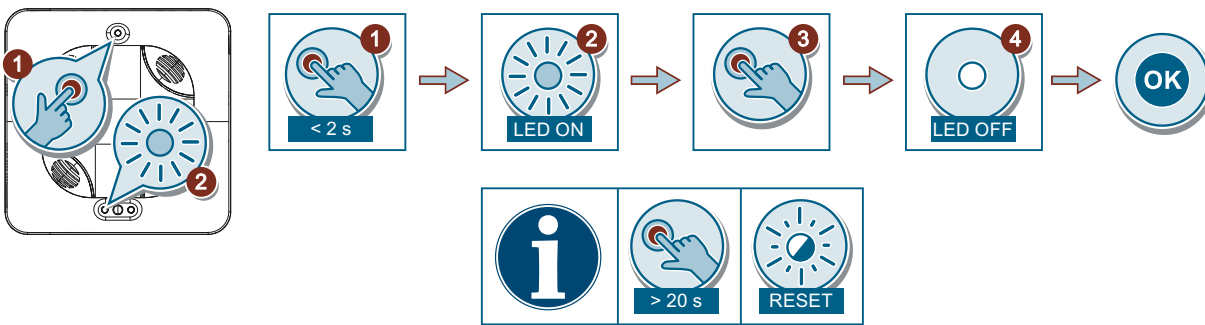


Assembly / Montage / Montage / Montaje / 安装

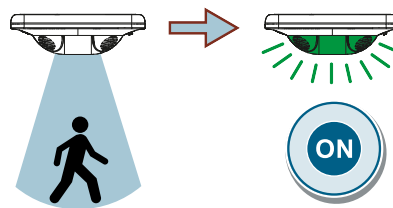
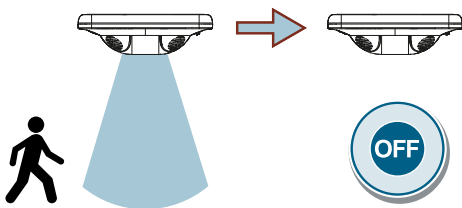
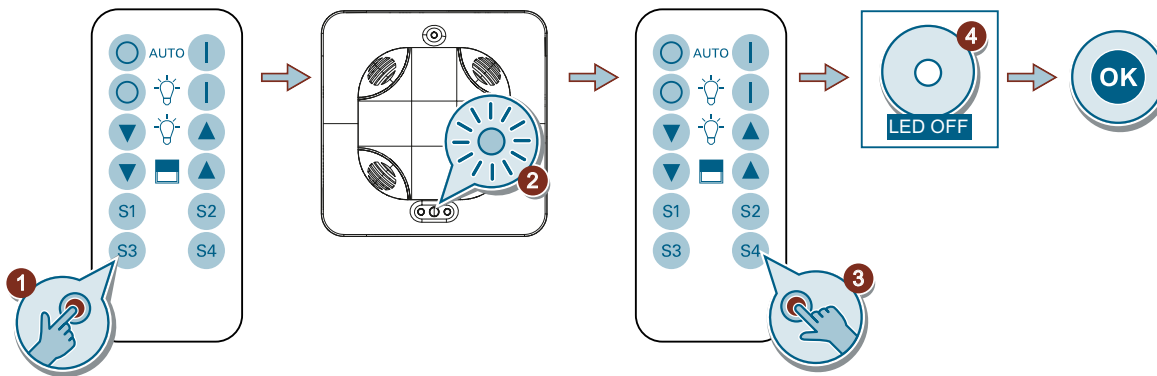


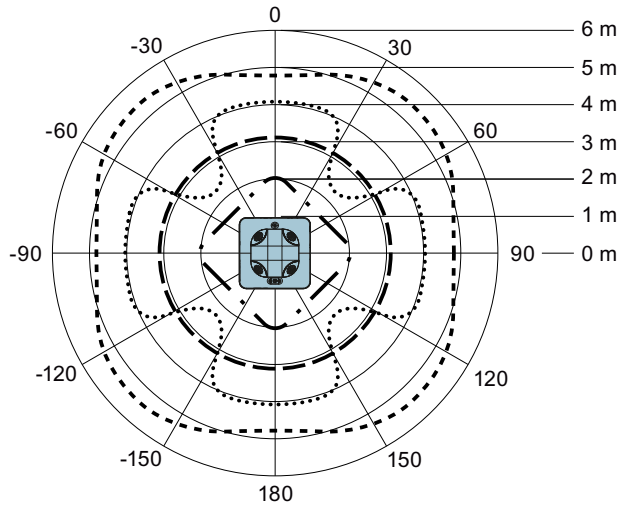
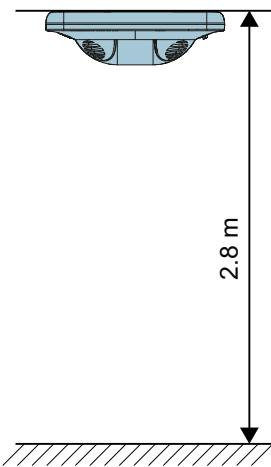
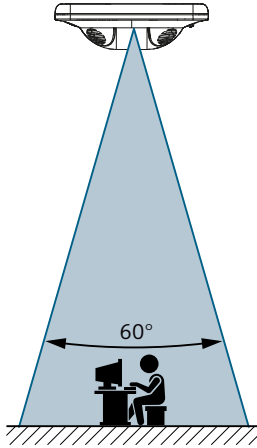


KNX 24 VDC typ. SELV



5WG1255-7AB11



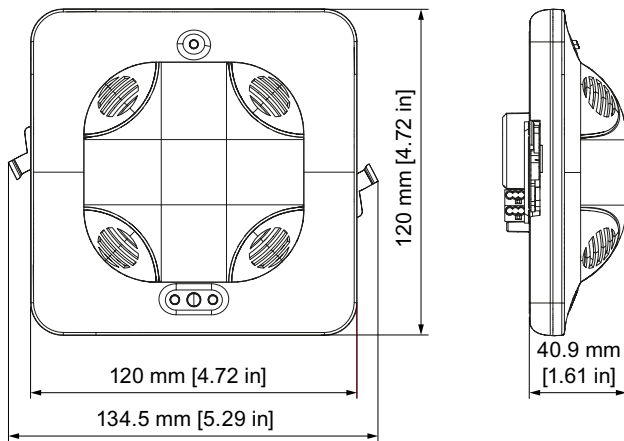


EN	PIR radial and presence detection	DE	Radiale und Präsenzerfassung PIR
FR	Détection radiale et de présence PIR	ES	Detección radial y de presencia PIR
IT	Sensore PIR per rilevamento radiale e di presenza	PT	Deteção radial e de presença PIR
TR	PIR radyal ve varlık algılaması	PY	Радиальное обнаружение и обнаружение присутствия
PL	Wykrywanie przy promieniowym kierunku ruchu i wykrywanie obecności PIR	中	径向和存在性检测 PIR

EN	PIR tangential detection	DE	Tangentiale Erfassung PIR
FR	Détection tangentielle PIR	ES	Detección tangencial PIR
IT	Sensore PIR per rilevamento tangenziale	PT	Deteção tangencial PIR
TR	PIR teğetsel algılama	PY	Тангенциальное обнаружение PIR
PL	Wykrywanie przy stycznym kierunku ruchu PIR	中	切向检测 PIR

EN	US tangential and presence detection	DE	Tangentiale und Präsenzerfassung US
FR	Détection tangentielle et de présence US	ES	Detección tangencial y de presencia US
IT	Sensore US per rilevamento tangenziale e di presenza	PT	Deteção tangencial e de presença US
TR	US teğetsel ve varlık algılaması	PY	Тангенциальное обнаружение и обнаружение присутствия US
PL	Wykrywanie przy stycznym kierunku ruchu i wykrywanie	中	切向和存在性检测 US

EN	US radial detection	DE	Radiale Erfassung US
FR	Détection radiale US	ES	Detección radial US
IT	Sensore US per rilevamento radiale	PT	Deteção radial US
TR	US radyal algılama	PY	Радиальное обнаружение US
PL	Wykrywanie przy promieniowym kierunku ruchu US	中	径向检测 US



Technical Documentation:
<http://www.siemens.com/gamma-td>



Technical Support
<http://www.siemens.com/supportrequest>



FAQ:
<https://support.industry.siemens.com/cs/ww/en/ps/faq>



Electromagnetic compatibility

USA:

This device complies with part 15 of the FCC Rules. Operation is subject to the following two conditions:

- (1) This device may not cause harmful interference, and
- (2) this device must accept any interference received, including interference that may cause undesired operation.

This equipment has been tested and found to comply with the limits for a Class B digital device, pursuant to part 15 of the FCC Rules. These limits are designed to provide reasonable protection against harmful interference in a residential installation. This equipment generates, uses and can radiate radio frequency energy and, if not installed and used in accordance with the instructions, may cause harmful interference to radio communications. However, there is no guarantee that interference will not occur in a particular installation. If this equipment does cause harmful interference to radio or television reception, which can be determined by turning the equipment off and on, the user is encouraged to try to correct the interference by one or more of the following measures:

- Reorient or relocate the receiving antenna.
- Increase the separation between the equipment and receiver.
- Connect the equipment into an outlet on a circuit different from that to which the receiver is connected.
- Consult the dealer or an experienced radio/TV technician for help.

This device complies with Part 15 of the FCC rules. Changes or modifications not expressly approved by Siemens Schweiz AG could void the user's authority to operate the equipment.

United States representative:

<https://new.siemens.com/us/en/products/buildingtechnologies/home.html>

Canada:

CAN ICES-3(B)/NMB-3(B)

