

SIEMENS

Motion detector WALL

Bewegungsmelder WALL

Détecteur de mouvements WALL

Detector de movimiento WALL

Sensor de movimento WALL

Rilevatore di movimento WALL

WALL hareket dedektörü

Датчик движения WALL

Czujnik ruchu WALL

运动监测



5WG1251-2AB11



Operating Instructions Betriebsanleitung
Instruções de Serviço İşletme kılavuzu

Notice d'utilisation
Руководство по эксплуатации

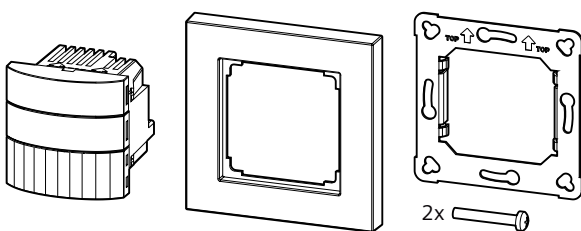
Instructivo
Instrukcja obsługi

Istruzioni operative
使用说明

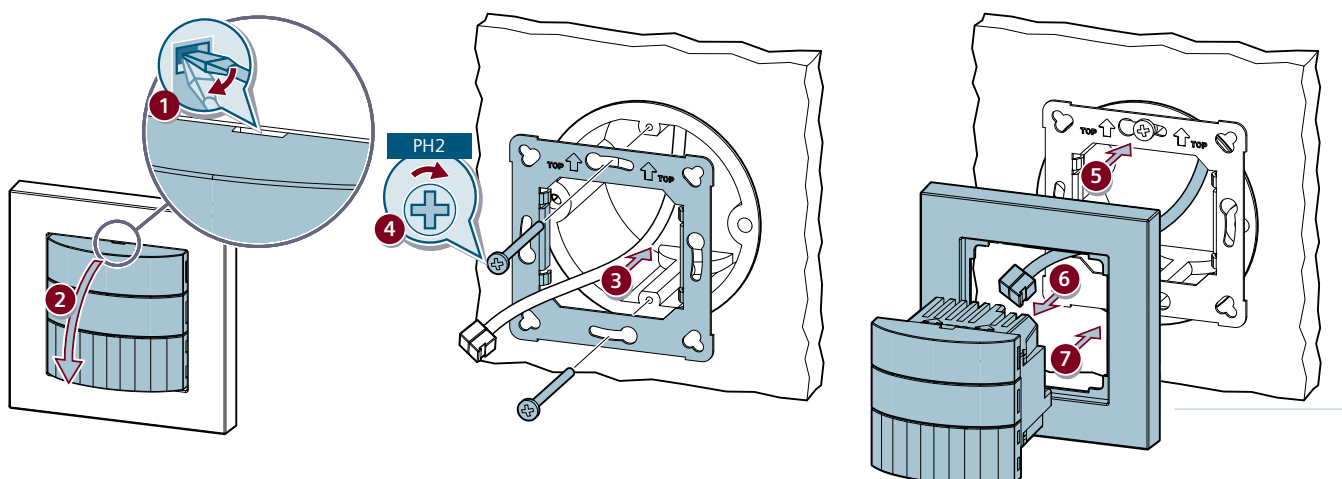


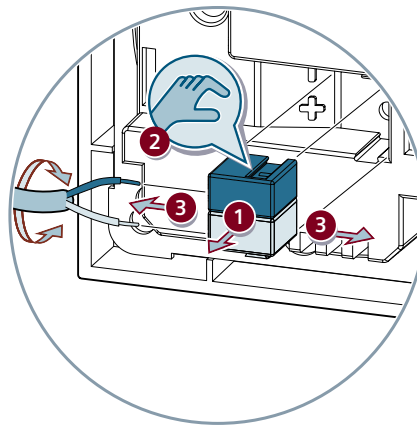
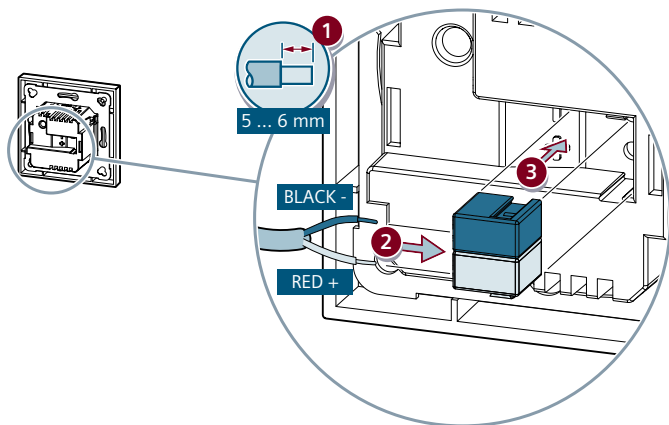
Contents / Lieferumfang / Etendue de la livraison /
Contenido / 供货范围

Required tools / Notwendige Werkzeuge /
Outils nécessaires / Herramientas requeridas / 必要工具

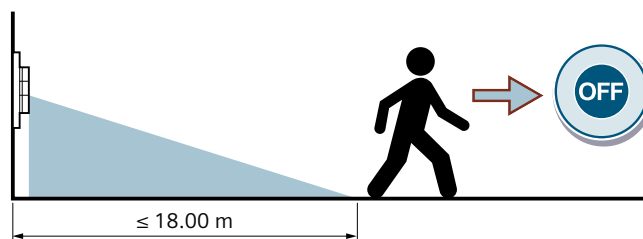
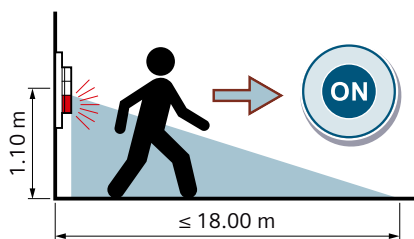
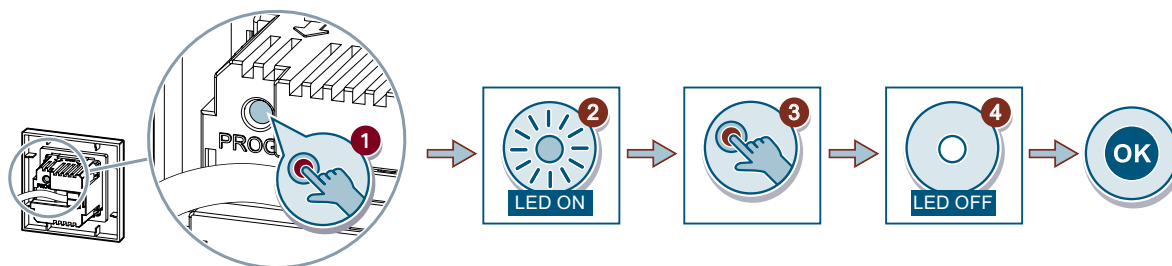


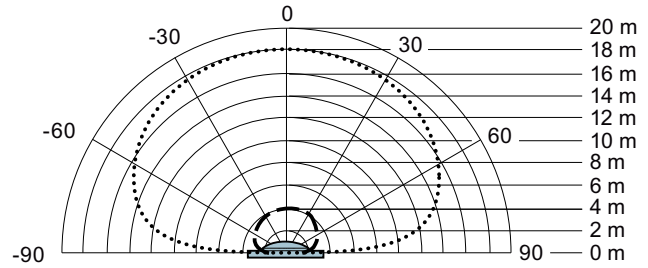
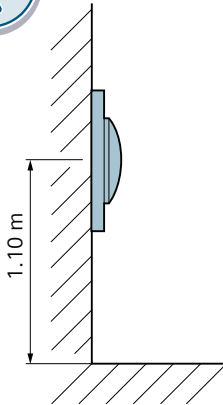
Assembly / Montage / Montage / Montaje / 安装





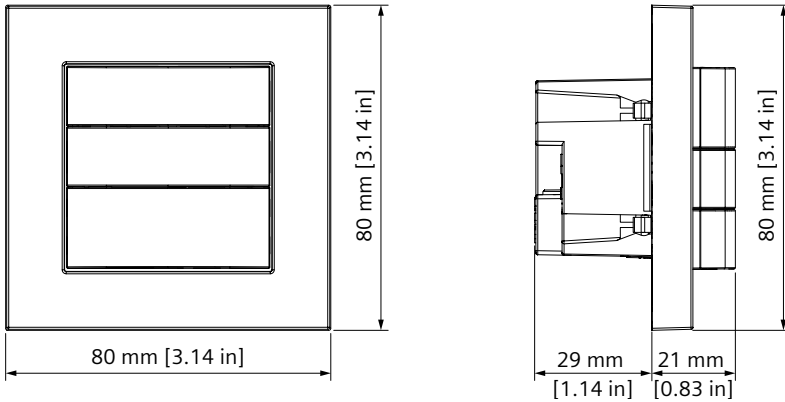
Cu	
	0.6 ... 0.8 mm ²





EN	Radial detection	DE	Radiale Erfassung
FR	Détection radiale	ES	Detección radial
IT	Rilevamento radiale	PT	Detecção radial
TR	Radyal algılama	PY	Обнаружение в радиальном направлении
PL	Wykrywanie ruchu promieniowego	中	径向检测

EN	Tangential detection	DE	Tangentiale Erfassung
FR	Détection tangentielle	ES	Detección tangencial
IT	Rilevamento tangenziale	PT	Detecção tangencial
TR	Teğetsel algılama	PY	Обнаружение в тангенциальном направлении
PL	Wykrywanie ruchu stycznego	中	切向检测



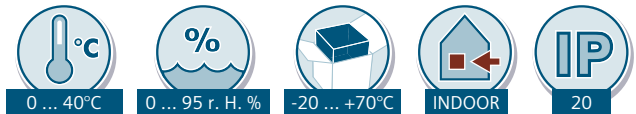
Technical Documentation:
<http://www.siemens.com/gamma-td>



Technical Support
<http://www.siemens.com/supportrequest>



FAQ:
<https://support.industry.siemens.com/cs/ww/en/ps/faq>



Electromagnetic compatibility

USA:

This device complies with part 15 of the FCC Rules. Operation is subject to the following two conditions:

- (1) This device may not cause harmful interference, and
- (2) this device must accept any interference received, including interference that may cause undesired operation.

This equipment has been tested and found to comply with the limits for a Class B digital device, pursuant to part 15 of the FCC Rules. These limits are designed to provide reasonable protection against harmful interference in a residential installation. This equipment generates, uses and can radiate radio frequency energy and, if not installed and used in accordance with the instructions, may cause harmful interference to radio communications. However, there is no guarantee that interference will not occur in a particular installation. If this equipment does cause harmful interference to radio or television reception, which can be determined by turning the equipment off and on, the user is encouraged to try to correct the interference by one or more of the following measures:

- Reorient or relocate the receiving antenna.
- Increase the separation between the equipment and receiver.
- Connect the equipment into an outlet on a circuit different from that to which the receiver is connected.
- Consult the dealer or an experienced radio/TV technician for help.

This device complies with Part 15 of the FCC rules. Changes or modifications not expressly approved by Siemens Schweiz AG could void the user's authority to operate the equipment.

United States representative:

<https://new.siemens.com/us/en/products/buildingtechnologies/home.html>

Canada:

CAN ICES-3(B)/NMB-3(B)

