

SIEMENS

Solar protection actuator
 Sonnenschutzaktor
 Actionneur de protection solaire
 Actuador protección solar
 Attuatore per protezioni solari
 Protecção Solar para Actuador
 Gölgelendirme Aktivatörü
 Привод жалюзи
 Zonwering actor
 遮阳执行器



5WG1543-1DB31
 5WG1543-1DB51

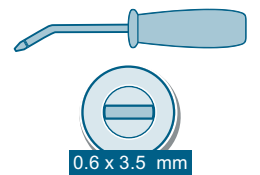
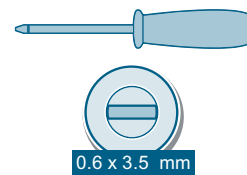
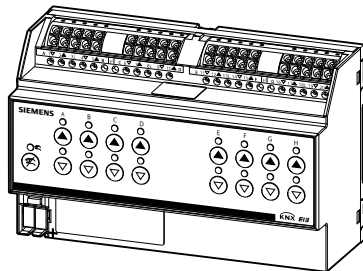
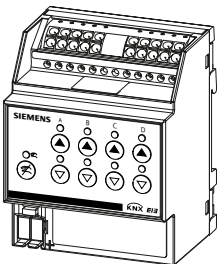


Operating Instructions Betriebsanleitung Notice d'utilisation Instructivo Istruzioni operative
 Instruções de Serviço İşletme kılavuzu Руководство по эксплуатации Bedieningshandleiding 使用说明

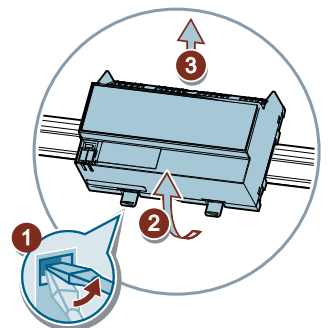
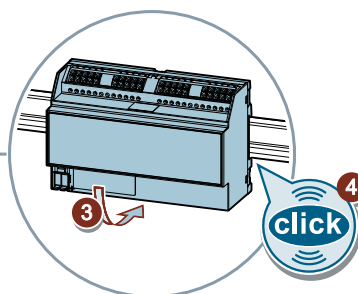
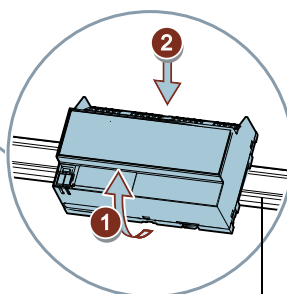
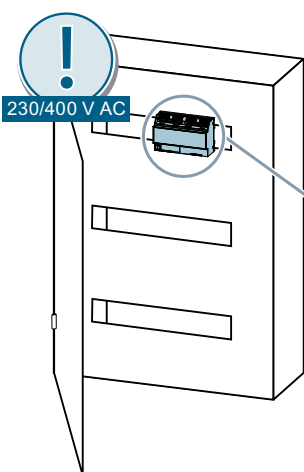
Contents / Lieferumfang / Etendue de la livraison / Contenido / 供货范围 **Required tools / Notwendige Werkzeuge / Outils nécessaires / Herramientas requeridas / 必要工具**

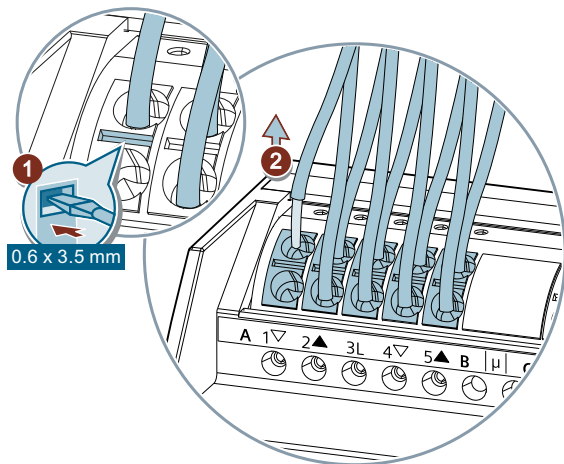
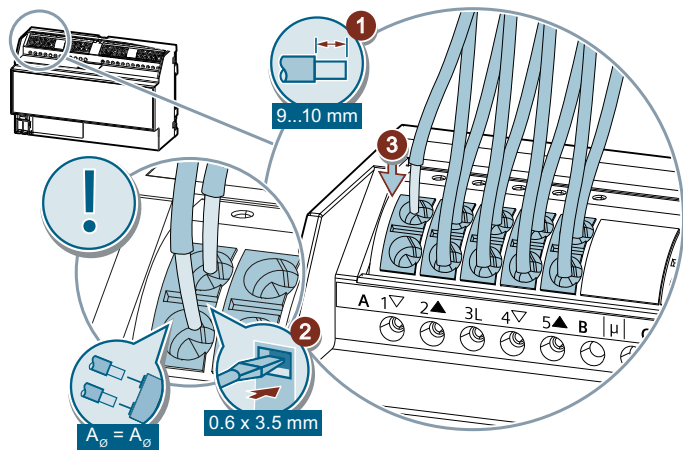
5WG1543-1DB31

5WG1543-1DB51

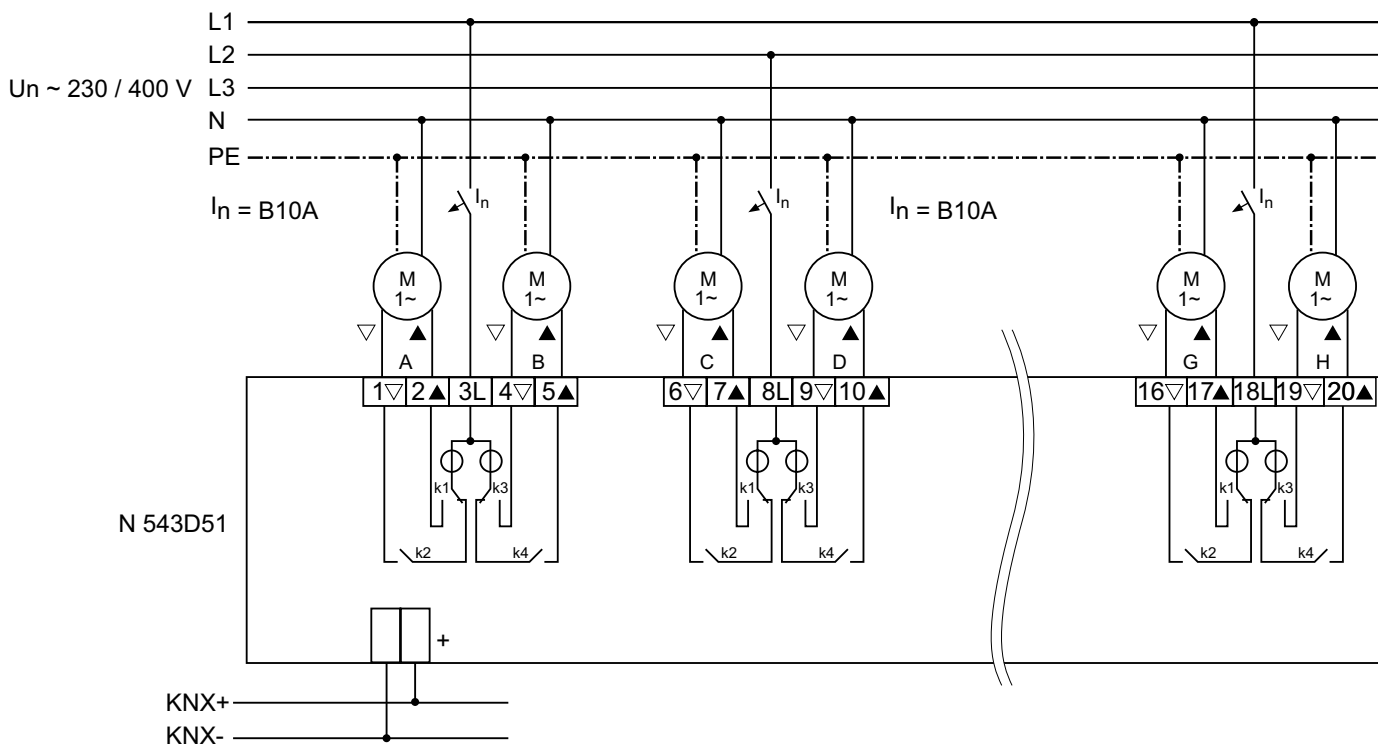
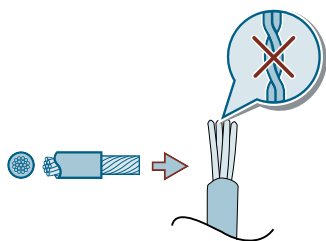


Assembly / Montage / Montage / Montaje / 安装 **Removal / Demontage / Démontage / Desmontaje / 拆卸**





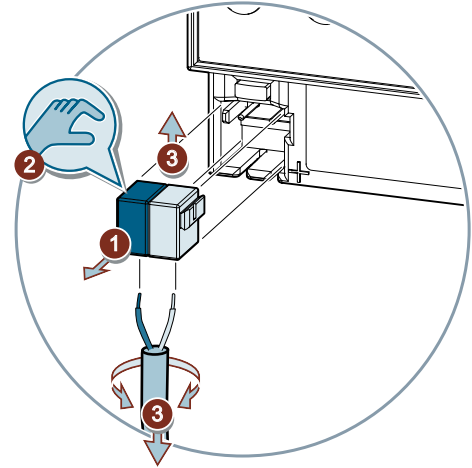
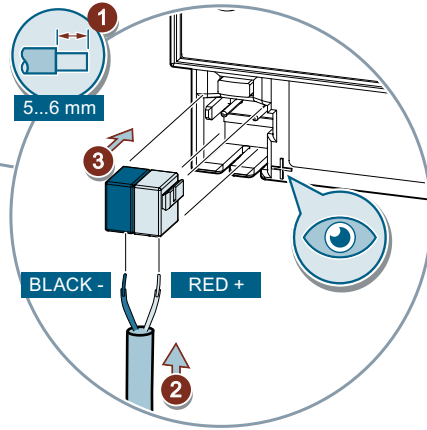
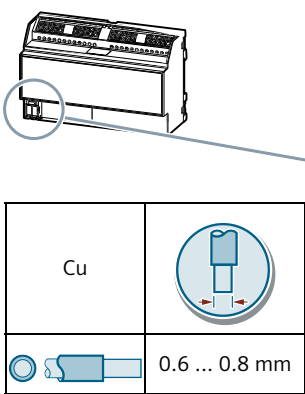
Cu	
	0.5 ... 2.5 mm ²
	2.5 mm ²





Connection / Anschluss / Raccordement /
Conexión / 连接

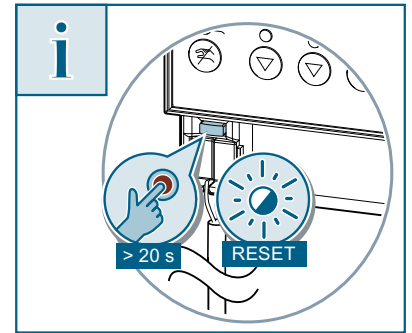
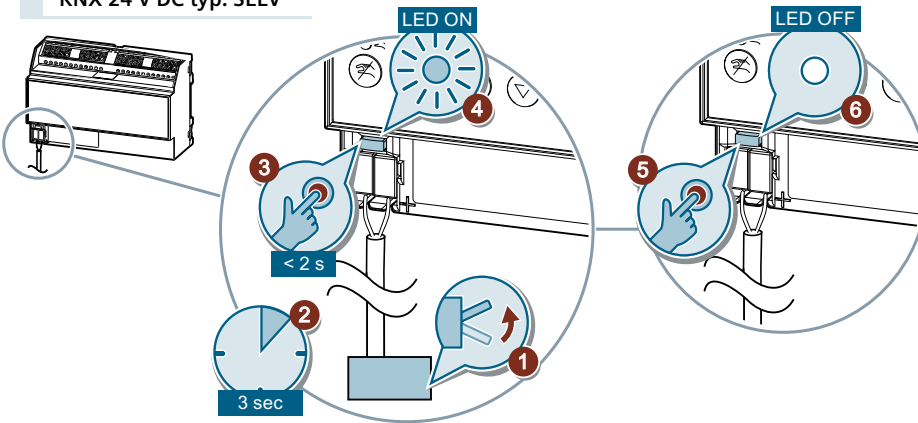
Disconnection / Trennung / D connexion /
Desconexi n / 断开



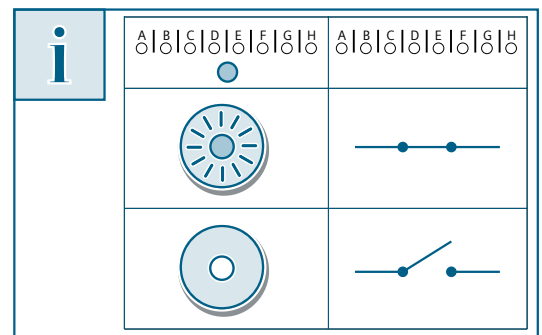
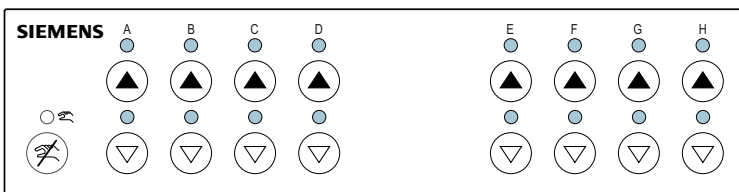
Test / Test / Test / Test / 测试



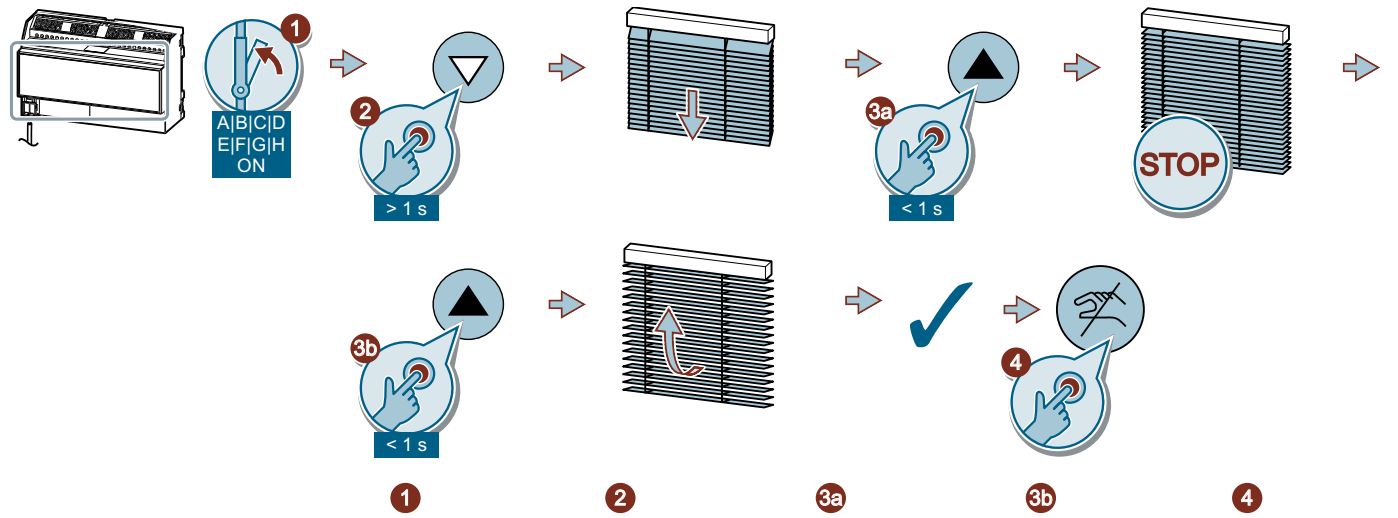
KNX 24 V DC typ. SELV



A|B|C|D|E|F|G|H U_n~ 230 V



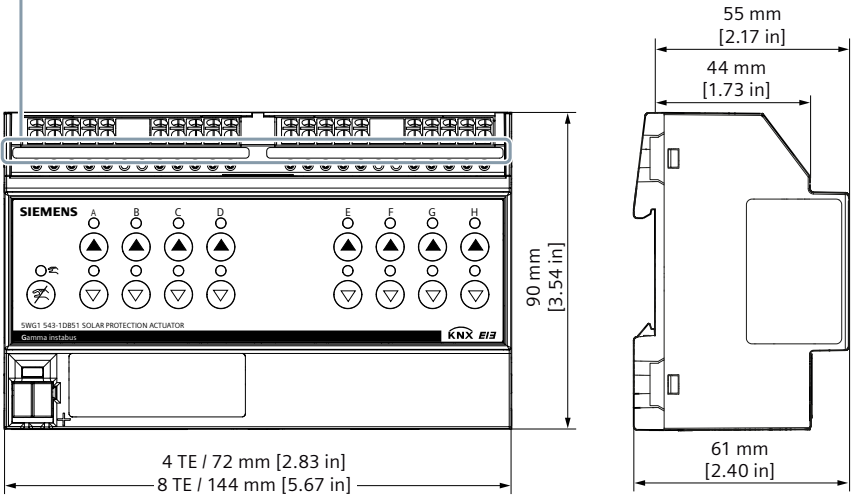
Test / Test / Test / Test / 测试



	1	2	3a	3b	4
A B C D E F G H ▲					
A B C D E F G H ▼					

Information / Information / Informations / Información / 信息

A 1▼ 2▲ 3L 4▼ 5▲ B | μ | C 6▼ 7▲ 8L 9▼ 10▲ D | E 11▼ 12▲ 13L 14▼ 15▲ F | μ | G 16▼ 17▲ 18L 19▼ 20▲ H



Technical Documentation:
<http://www.siemens.com/gamma-td>



Technical Support
<http://www.siemens.com/supportrequest>



FAQ:
<https://support.industry.siemens.com/cs/ww/en/ps/faq>