

# **HIKOKI**

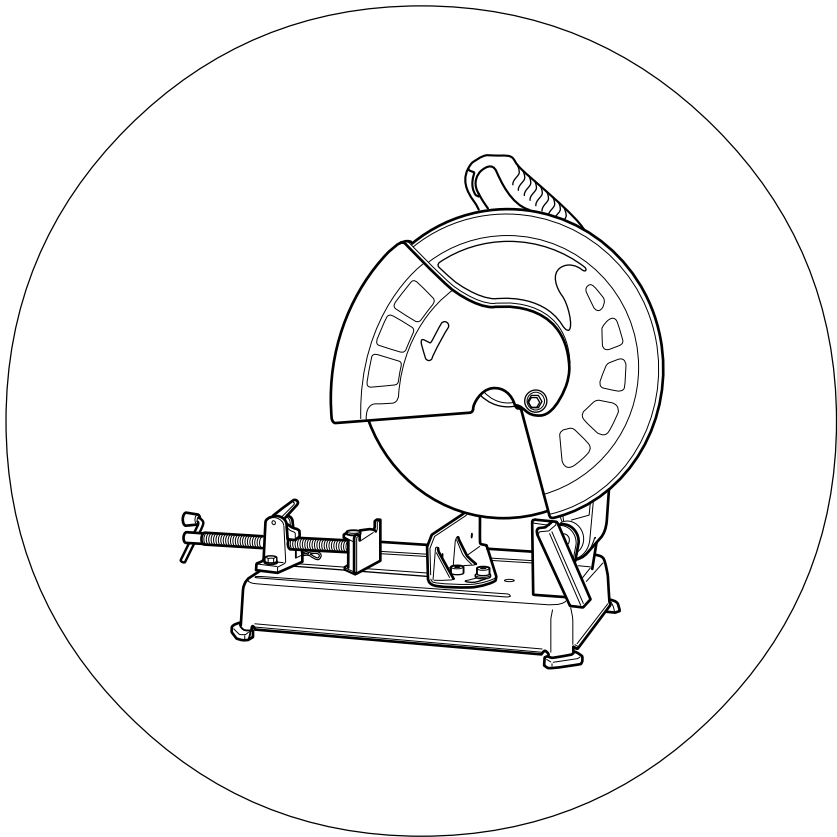
## **Cut-Off Machine**

高速切斷機

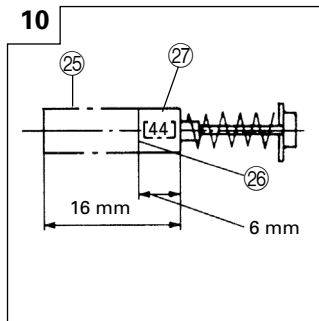
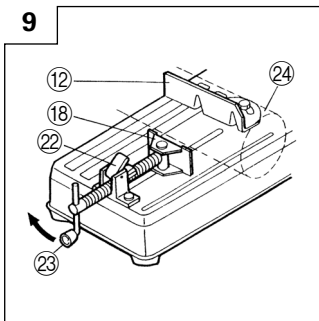
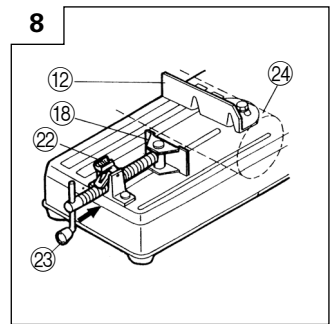
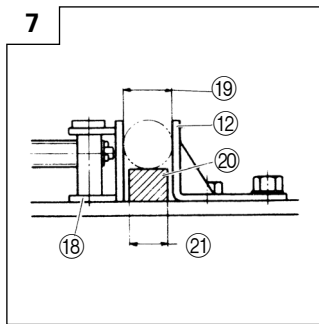
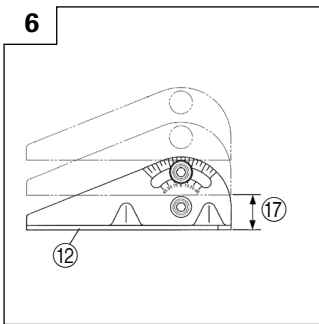
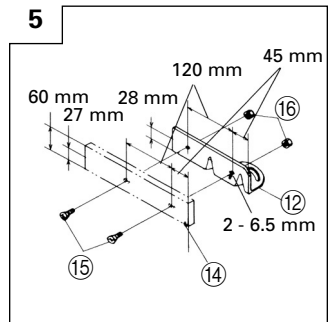
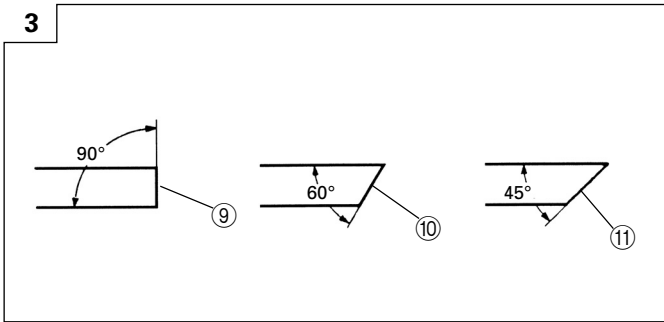
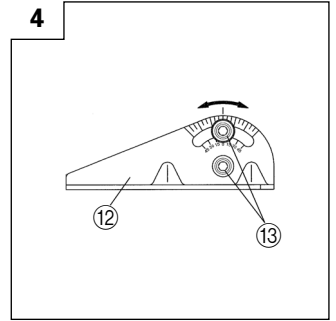
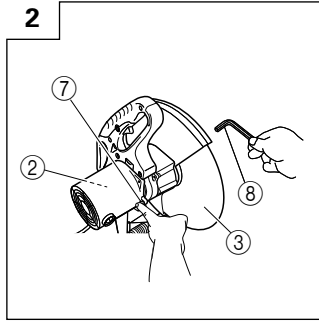
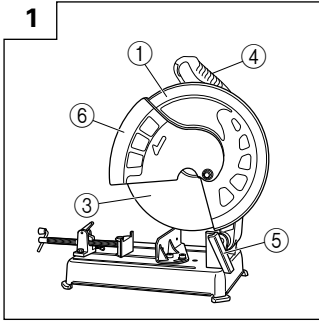
### **CC 14SF**

Handling instructions

使用說明書



Read through carefully and understand these instructions before use.  
使用前務請詳加閱讀



①	Wheelcover	輪罩
②	Motor	馬達
③	Cut-off wheel	切割輪
④	Handle	把手
⑤	Spark chute	火花檔槽
⑥	Sub cover (A)	子罩 (A)
⑦	Stopper	止動銷
⑧	Hex. bar wrench	六角條形扳手
⑨	When setting at an angle of 0°	設于 0 度時
⑩	When setting at an angle of 30°	設于 30 度時
⑪	When setting at an angle of 45°	設于 45 度時
⑫	Vise (B)	夾具 (B)
⑬	10 mm bolts	10 mm 螺栓
⑭	Steel board (More than thickness 6 mm)	鋼板 (厚度為 6 mm 以上)
⑮	Flat hd. screw of more than 6 mm × 15	大于 6 mm × 15 的平頭螺絲
⑯	6 mm nuts	6 mm 螺母
⑰	The vise-jaws open to 170 mm while the vise can be set in two steps 205 mm and 240 mm.	夾具可設定 205 mm 和 240 mm 兩級時，夾具夾開放于 170 mm。
⑱	Vise (A)	夾具 (A)
⑲	Dimension of workpiece to be cut	被切割工作的尺寸
⑳	Metallic block	金屬塊
㉑	Dimension of Metallic block	金屬塊的尺寸
㉒	Clutch	接合器
㉓	Screw handle	螺絲柄
㉔	Workpiece material	工件材料
㉕	Carbon Brush	碳刷
㉖	Wear limit	磨損極限
㉗	No. of carbon brush	碳刷號

---

## GENERAL OPERATIONAL PRECAUTIONS

---

**WARNING!** When using electric tools, basic safety precautions should always be followed to reduce the risk of fire, electric shock and personal injury, including the following.

Read all these instructions before operating this product and save these instructions.

For safe operations:

1. Keep work area clean. Cluttered areas and benches invite injuries.
2. Consider work area environment. Do not expose power tools to rain. Do not use power tools in damp or wet locations. Keep work area well lit. Do not use power tools where there is risk to cause fire or explosion.
3. Guard against electric shock. Avoid body contact with earthed or grounded surfaces. (e.g. pipes, radiators, ranges, refrigerators).
4. Keep children away. Do not let visitors touch the tool or extension cord. All visitors should be kept away from work area.
5. Store idle tools. When not in use, tools should be stored in a dry, high or locked up place, out of reach of children.
6. Do not force the tool. It will do the job better and safer at the rate for which it was intended.
7. Use the right tool. Do not force small tools or attachments to do the job of a heavy duty tool. Do not use tools for purposes not intended; for example, do not use circular saw to cut tree limbs or logs.
8. Dress properly. Do not wear loose clothing or jewellery, they can be caught in moving parts. Rubber gloves and non-skid footwear are recommended when working outdoors. Wear protecting hair covering to contain long hair.
9. Use eye protection. Also use face or dust mask if the cutting operation is dusty.
10. Connect dust extraction equipment. If devices are provided for the connection of dust extraction and collection facilities ensure these are connected and properly used.
11. Do not abuse the cord. Never carry the tool by the cord or yank it to disconnect it from the receptacle. Keep the cord away from heat, oil and sharp edges.
12. Secure work. Use clamps or a vise to hold the work. It is safer than using your hand and it frees both hands to operate tool.
13. Do not overreach. Keep proper footing and balance at all times.
14. Maintain tools with care. Keep cutting tools sharp and clean for better and safer performance. Follow instructions for lubrication and changing accessories. Inspect tool cords periodically and if damaged, have it repaired by authorized service center. Inspect extension cords periodically and replace, if damaged. Keep handles dry, clean, and free from oil and grease.
15. Disconnect tools. When not in use, before servicing, and when changing accessories such as blades, bits and cutters.
16. Remove adjusting keys and wrenches. Form the habit of checking to see that keys and adjusting

wrenches are removed from the tool before turning it on.

17. Avoid unintentional starting. Do not carry a plugged-in tool with a finger on the switch. Ensure switch is off when plugging in.
18. Use outdoor extension leads. When tool is used outdoors, use only extension cords intended for outdoor use.
19. Stay alert. Watch what you are doing. Use common sense. Do not operate tool when you are tired.
20. Check damaged parts. Before further use of the tool, a guard or other part that is damaged should be carefully checked to determine that it will operate properly and perform its intended function. Check for alignment of moving parts, free running of moving parts, breakage of parts, mounting and any other conditions that may affect its operation. A guard or other part that is damaged should be properly repaired or replaced by an authorized service center unless otherwise indicated in this handling instructions. Have defective switches replaced by an authorized service center. Do not use the tool if the switch does not turn it on and off.
21. Warning  
The use of any accessory or attachment, other than those recommended in this handling instructions, may present a risk of personal injury.
22. Have your tool repaired by a qualified person. This electric tool is in accordance with the relevant safety requirements. Repairs should only be carried out by qualified persons using original spare parts. Otherwise this may result in considerable danger to the user.

---

## PRECAUTIONS ON USING CUT-OFF MACHINE

---

1. Before using it, ascertain that the cut-off wheel is not cracked or split. Always make a trial run before use to confirm that the Cut-off Machine does not involve abnormalities.
2. Use the normal cut-off wheel on its normal working surface.
3. Guard against cut-off sparks.
4. Properly replace the cut-off wheel.
5. Always pay attention that the cut-off wheel clamping parts are never impaired. Defective parts will cause damage to the cut-off wheel.
6. Ensure that the workpiece is free of foreign matter such as nails.

## SPECIFICATIONS

Voltage (by areas)*		(110V, 115V, 120V) ∩	(230V, 240V) ∩
Input		1640W*	2000W*
Max. cutting dimensions Height × width	90°	115 mm × 130 mm	70 mm × 235 mm
	45°	106 mm × 106 mm	
No-Load Speed		3800 /min	
Max. working peripheral speed		4800 m/min	
Weight		16.5 kg	

\* Be sure to check the nameplate on product as it is subject to change by areas.

## STANDARD ACCESSORIES

- (1) Cut-off wheel ..... 1  
 (2) Hex. bar wrench ..... 1

## APPLICATION

Cutting of various metallic materials such as pipes, round bars and shaped steel.

## PRIOR TO OPERATION

- Power source**  
Ensure that the power source to be utilized conforms to the power requirements specified on the product nameplate.
- Power switch**  
Ensure that the power switch is in the OFF position. If the plug is connected to a receptacle while the power switch is in the ON position, the power tool will start operating immediately, which could cause a serious accident.
- Extension cord**  
When the work area is removed from the power source, use an extension cord of sufficient thickness and rated capacity. The extension cord should be kept as short as practicable.
- Install the machine on a level flat place, and keep it in a stable condition. Prior to shipping, the equipment is subjected to a rigid factory inspection to prevent electric shocks during operation.
- Since movable portions are secured by tension of a chain while in transit, remove the chain from the chain hook by slightly depressing the switch handle.
- Ascertain that all cut-off wheels are in perfect condition, and do not display scars and cracks.
- Although they have been fully clamped at the factory prior to delivery, reclamp the clamping nuts securely for safety.
- Possible accidents such as a cracked cut-off wheel is prevented by this protective cover (wheel cover). Although it has been fully clamped at the factory prior to delivery, securely reclamp the mounting screws for safety.
- When replacing the cut-off wheel, ensure that the replacement cutting wheel has a designed circumferential speed in excess of 4800 m/min.

- Ensure that the bar spanner used for tightening or removing the cut-off wheel is not attached to the machine.
- Ensure that the material is securely fastened with the vise. If it is not, a serious accident could be caused if the material comes loose or the cut-off wheel breaks during operation.
- Continued cutting without noticing a cracked or split cut-off wheel may prove to be very hazardous. Before starting operation, make a trial run to confirm that no abnormalities are involved.  
Trial run periods:  
When replacing the cut-off wheel  
..... Over 3 minutes.  
When starting routine work  
..... Over 1 minute.
- Rotate the cut-off wheel to inspect any facial deflection. A heavy deflection will cause the cut-off wheel to shift.

## CUTTING PROCEDURES

### CAUTION

It is dangerous to remove or install the workpiece while the cut-off wheel turning.

#### 1. Operating the switch

The switch is switched on by manually pulling the trigger and cut off by releasing the trigger to the original location. The switch can operate continuously, even after releasing the trigger, by pushing the stopper after pulling the trigger. The stopper can be removed by pulling the trigger again and the switch is cut off with the release of the trigger.

#### 2. Cutting

- Rotate the cut-off wheel, gently press down the handle, and bring the cut-off wheel close to the cutting material.
- When the cut-off wheel contacts the cutting material, gently press down the handle further and start cutting.
- When cutting (or designated slotting) is completed, raise the handle and restore it to its original position.
- At the termination of each cutting process, turn OFF the switch to stop rotation and proceed with the subsequent cutting job.

### CAUTION

It does not necessarily cut rapidly when putting more force on the handle.

Too much force on the handle will put excessive pressure on the motor and reduce its capacity. Do not fail to switch OFF the switch after operation is completed and pull the plug out.

---

## MOUNTING AND DISMOUNTING THE CUT-OFF WHEEL

---

### 1. Dismounting the cut-off wheel (Fig. 2)

- (1) Press the stopper and loosen the bolt with a hex. bar wrench.

#### CAUTION

When the mounting shaft for cut-off wheel cannot be fixed with pressing the stopper, turn the bolt with a hex. bar wrench while pressing the stopper. The mounting shaft for cut-off wheel is fixed when the stopper has been lowered.

- (2) Remove the bolt, washer (A), and the wheel washer and detach the cut-off wheel.

### 2. Mounting the cut-off wheel

Thoroughly remove dust from the wheel washers and bolt then mount the wheel by following the dismounting procedures in reverse order.

#### CAUTION

Confirm that the stopper which was used for installation and removal of the cut-off wheel has returned to the retract position.

---

## HOW TO OPERATE

---

### 1. Procedure for fixing the cutting material (Fig. 8 and 9)

Place the workpiece material between vise (A) and vise (B), raise the clutch and push the screw handle to bring vise (A) lightly into contact with the workpiece material, as shown in Fig. 8.

Then, turn the clutch down, and securely fix the workpiece material in position by turning the screw handle. When the cutting job is completed, turn the screw handle 2 or 3 times to loosen the vise, and remove the workpiece material, as shown in Fig. 9.

#### CAUTION

Never remove or install a workpiece material while the cut-off wheel is rotating, to avoid personal injury.

### 2. Cutting at angles (Fig. 3 and 4)

- (1) The machine permits cutting at angles of 45° or 60°.
- (2) Loosen the two M10 hexagon socket head bolts on the vise (B), then set the working surface on the vise-jaw at any angles of 0°, 30°, or 45° as shown in Fig. 4. Upon completion of setting, securely tighten the two M10 hexagon socket head bolts.
- (3) When wide material is cut with angle, it will be firmly camped by fixing a steel board like Fig. 5 to the vise (B).

### 3. Moving the stationary vise-jaw (Fig. 6)

The vise opening is set at the maximum of 170 mm when shipped from the factory. In case an opening of more than 170 mm is required, move the vise to the position shown by the chain line after unscrewing the two bolts. The maximum opening can be set in two steps 205 mm and 240 mm. When the cutting material is excessively wide, the vise can be effectively used by repositioning the stationary side of the vise-jaws.

### 4. How to use metallic block (Fig. 7)

When the cut-off wheel has a reduced outer diameter, insert between the vise (A) and (B) a metallic block slightly smaller than the dimension of workpiece being cut to use the cut-off wheel economically.

---

## MAINTENANCE AND INSPECTION

---

### CAUTION

Be sure to switch off and pull off the plug from the power outlet before inspection and maintenance.

#### 1. Replacing a cut-off wheel

When the cut-off wheel has already become dull while continually using, the unnecessary load is got from the motor. Consequently, redress or replace a dull cut-off wheel to ensure grinding efficiency.

#### 2. Inspecting the carbon brushes (Fig. 10)

The Motor employs carbon brushes which are consumable parts. When they become worn to or near the "wear limit", it could result in motor trouble. When an auto-stop carbon brush is equipped, the motor will stop automatically. At that time, replace both carbon brushes with new ones which have the same carbon brush Number shown in the figure. In addition, always keep carbon brushes clean and ensure that they slide freely within the brush holders.

#### 3. Inspecting the mounting screws

Regularly inspect all mounting screws and ensure that they are properly tightened. Should any of the screws be loose, retighten them immediately. Failure to do so could result in serious hazard.

#### 4. Lubrication

Supply oil in the following oil supply points once a month so as to keep the machine workable for a long time. (See Fig. 1)

Oil supply points

- Rotary part of shaft
- Rotary part of vise
- Slide way of vise (A)

#### 5. Cleaning

Wipe off chip and waste adhered to the machine with a cloth or the like time to time. Be careful not to make the motor portion wet with oil or water.

---

### NOTE:

Due to HiKOKI's continuing program of research and development, the specifications herein are subject to change without prior notice.

---

---

## 作業上的一般注意事項

---

**警告！**當使用電動工具時，為了減少造成火災、電擊和人身傷害，必須時刻遵守基本注意事項，以及下述操作注意事項。  
在操作本機之前，請通讀本說明書，並予以妥善保管。

### 安全操作注意事項：

1. 工作場所應打掃乾淨，清理妥當，雜亂無章將導致事故。
2. 確保妥適的作業環境。電動工具不可任其風吹雨打。不得在潮濕的地方作業。工作場所需保持充分的亮度。請勿在有可能造成火災或爆炸的地方使用電動工具。
3. 謹防觸電事故。應避免身體同大地或接地表面不可讓訪客觸摸電動工具或延伸線纜接觸（例如：管道、散熱器、爐灶、冰箱等）
4. 不可讓孩童靠近工作場所。與作業無關的訪客也必須保持安全距離。
5. 不使用的電動工具應存放到乾燥而孩童伸手不及的高處，並加鎖保管。
6. 不得使勁用力推壓。電動工具需按設計條件才能有效而安全地工作，絕不可勉強。
7. 妥選使用工具。不可用小型工具或附件去幹重活。不可用於規定外的作業。舉例說，用圓鋸進行伐木打枝或原木鋸切作業。
8. 工作時衣服穿戴要合適。不要讓松散的衣角和寶石類捲入轉動部份。屋外作業時，最好手戴橡膠手套，腳穿防滑膠鞋。同時要戴上能夠罩籠長髮的工作帽。
9. 絕大多數的電動工具作業時，均需戴安全眼鏡。進行粉塵飛揚的切削作業時，需戴防塵面罩。
10. 連接除塵設備  
如果提供連擊除塵和集塵的設備，請確認是否已經連接好並且使用正常。
11. 不要拿電線提起電動工具，也不得拉扯電線從電源插座拆除插頭。電線需從熱源和油液隔開，並避免與銳利的邊緣接觸。
12. 作業以安全第一為原則。工件要用夾具或臺鉗夾緊。這樣做，比用手按壓更為可靠，也能夠讓雙手專心操作。
13. 作業時腳步要站穩，身體姿勢要保持平衡。
14. 工具應維護妥善，經常保持鋒利、清潔才能充分發揮性能，落實作業安全的要求。應按規定加注

潤滑脂、更換附件。線纜應定期檢查，如發現損傷應即委託專業性的服務單位加以修復。延伸電纜如有損傷應予更換。手柄要保持乾燥，並防止沾附油脂類。

15. 不使用時，維修前以及更換附件（如：刀具、鑽頭、鋸具等）之前，都必須拆卸電源插頭才行。
16. 開動前務必把調整用鍵和扳手類拆卸下來。這一點與安全有關。應養成習慣，嚴格遵守。
17. 謹防誤開動。插頭一插上電源插座，指頭就不可隨便接觸電源開關。插接電源之前，應先確認：開關是否切斷。
18. 屋外延伸線纜的使用。屋外作業時，必須使用專用的延伸線纜。
19. 保持高度警覺，充分掌握情況，以正常的判斷力從事作業。疲憊時切不可開動電動工具。
20. 檢查損壞部件。在繼續使用電動工具之前，應詳細檢查各部零件以及防護裝置有無損壞，以便決定能否正常工作，能否發揮正常效能。檢查轉動部份的對準、空轉、各零件有無異常，安裝是否妥善以及其它足以給工作帶來不良影響的情況。如防護以及其它零件損傷了。除非本說明書中已有記載否則應即委託服務中心進行修理或更換。開關一發現缺陷，應即委託服務中心加以更換。如開關不能正常地接通或切斷，絕不可使用該電動工具。
21. 警告  
為了防止人身傷害，不得使用電動工具去進行規定外的作業。並祇能使用本說明書目錄中所指定的附件。
22. 本工具必須委託有資格的維修人員進行維修。  
本電動工具滿足相關的安全要求。維修必須由專業人員使用純正配件來進行。否則有可能會給用戶造成人身損害。

---

## 使用切割機前的注意事項

---

1. 使用之前，請確認切割輪無破裂或裂痕。在使用前請始終進行試運轉以確認切割機無異常。
2. 請使用正常切割輪的正常工作面。
3. 請注意防護火花。
4. 請正確更換切割輪。
5. 請始終注意切割輪夾緊部件未出現破損。有缺陷的部件將導致切割輪破損。
6. 請確保工件不帶釘子等異物。

# 規格

電壓 (按地區) *	(110V, 115V, 120V) ~	(230V, 240V) ~
輸入功率	1640W *	2000W *
定額輸出功率	860W	
最大切割尺寸 高度 × 寬度	90°	115 mm × 130 mm      70 mm × 235 mm
	45°	106 mm × 106 mm
空載轉速	3800 轉/分	
最大圓周速度	4800 m/分	
重量	16.5 kg	

\* 當須改變地區時應檢查產品上的銘牌。

## 標準附件

- (1) 切割輪 ..... 1
- (2) 六角條形扳手 ..... 1

## 用途

切割各種金屬材料，如管道、圓棍及型鋼。

## 作業之前

1. 電源  
確認所使用的電源與工具銘牌上標示的規格是否相符。
2. 電源開關  
確認電源開關是否切斷。若電源開關接通，則插頭插入電源插座時電動工具將出其不意地立刻轉動，從而招致嚴重事故。
3. 延伸電纜  
若作業場所移到離開電源的地點，應使用容易足夠、鑄裝合適的延伸線纜，並且要盡可能地短些。
4. 必須將切割機安裝在平坦的地方，並使其保持穩固狀態。為防止在操作時發生觸電事故，出廠前已對切割機進行了嚴格檢查。
5. 運輸時，因本工具的可動部分被用鎖鏈張力固定住，因此，請輕按開關柄，從鎖鏈鉤上卸下鎖鏈。

6. 必須確認所有切割輪都處於良好狀態，必須無刮傷、無裂縫。
7. 雖然夾緊螺母在出廠前已被擰緊，但為了安全請重新將其擰緊。
8. 保護罩（輪罩）能預防事故發生，例如能防止破裂的切割輪飛散。雖然固定螺絲在出廠前已被擰緊，但為了安全請重新將其擰緊。
9. 更換切割輪時，必須確認所更換的切割輪的設計圓周速度是否在 4800 m/分以上。
10. 必須確認用於擰緊或拆卸切割輪的條形扳手確實沒留在切割機上。
11. 必須用夾具將材料固定住。否則，在作業期間材料松弛或切割輪破損的話會引起嚴重事故。
12. 沒注意到切割輪已產生裂痕或裂縫而繼續進行切割的話，將會導致嚴重事故。因此，開始作業前，必須進行試運轉，確認切割輪確實無異常。試運轉時間：  
..... 更換切割輪後 3 分鐘以上。  
..... 開始日常作業後 1 分鐘以上。
13. 請旋轉切割輪，檢查其表面上的缺陷。缺陷嚴重時，會造成切割輪移位。

## 切割順序

### 注意：

在切割輪旋轉時裝卸工件是十分危險的。

1. 操作開關  
手動拉起扳機開關時即可打開操作開關，而鬆開



扳機開關使其返回起始位置時，即可關掉操作開關。若拉起扳機開關後按止動銷，即使鬆開扳機開關之後開關也可繼續操作。再次拉起扳機開關可卸下止動銷，鬆開扳機開關便關掉開關。

## 2. 切割

- (1) 旋轉切割輪，輕輕按下把手，使切割輪靠近要切割的材料。
- (2) 切割輪碰到要切割的材料後，再進一步輕輕按下把手，開始切割。
- (3) 完成切割（或切進所設計的槽深）後，提起把手，使其返回原來位置。
- (4) 每次切割結束後，都必須關掉開關。等切割機完全停止轉動後，才能進行下一項切割作業。

### 注意：

用力按把手並不能加快切割速度。相反，過分用力按把手會給馬達增加不必要的負擔並降低切割能力。完成作業後，必須關掉開關並將電源插頭從插座上拔出。

## 切割輪的裝卸

### 1. 拆卸切割輪（圖 2）

- (1) 按止動銷並用六角條形扳手鬆開螺栓。

### 注意

當按止動銷不能固定切割輪的安裝軸時，請按住止動銷並用六角條形扳手轉動螺栓。止動銷被降下後，切割輪的安裝軸即被固定。

- (2) 卸下螺栓、墊圈 (A) 和輪墊圈並拆下切割輪。

### 2. 安裝切割輪

將輪墊圈及螺栓上的灰塵完全擦淨，然後按與上述拆卸步驟相反的順序安裝切割輪。

### 注意

請確認用於安裝和拆卸切割輪的止動銷已返回到縮回位置。

## 操作方法

### 1. 固定切割材料的步驟（圖 8 和 9）

如圖 8 所示，將工件材料置於夾具 (A) 和夾具 (B) 之間，拉起接合器並按螺絲柄以使夾具 (A) 輕輕接觸到工件材料。

然後將接合器轉下，轉動螺絲柄將工件材料牢牢地固定在正確位置。當切割作業完成時，請轉動螺絲柄兩三次以鬆開夾具，並卸下工件材料（如圖 9 所示）。

### 注意

為了避免受傷，在切割輪轉動期間切勿卸下或安裝工件材料。

### 2. 角切割（圖 3 和 4）

- (1) 本工具可以 45 度或 60 度的斜角進行切割。
- (2) 如圖 4 所示，鬆開夾具 (B) 上的兩個 M10 六角形套筒扳手頭螺栓，然後將夾具卡爪上的工作表面設於 0、30 或 45 度中的任意一個角度。完成設定之後，擰緊兩個 M 10 六角形套筒扳手頭螺栓。
- (3) 如圖 5 所示，當以斜角切割較寬的材料時，通過將鋼板固定於夾具 (B)，便可牢牢地固定材料。

### 3. 移動夾具的固定卡爪（圖 6）

本工具出廠時，夾具開口被設定為最大 156 毫米，需要使夾具開口大於 170 毫米，請旋松兩個螺栓後，將夾具移到鎖線所示的位置。最大張口可被設為兩檔，即 205 毫米和 240 毫米。當切割材料太寬時，需要重新設定夾具的卡爪後才能有效地發揮夾具的作用。

### 4. 如何使用金屬塊（圖 7）

如切割輪的外徑減小時，可在夾具 (A) 和 (B) 之間插入比工件稍小金屬塊，這樣即使不更換切割輪也能切割材料，從而節省開支。

## 維護和檢查

### 注意

在檢查或維護之前，請務必關掉電源開關並從電源插座上拔下插頭。

### 1. 更換切割輪

長時間使用後當切割輪變鈍時，會給馬達增加不必要的負擔。因此，必須修整切割輪或換上新的切割輪以保證切割效果。

### 2. 檢查炭刷（圖 10）

電動機裏的碳刷是一種消耗品。碳刷一旦使用到磨損極限，電動機就會出現各種障礙；如果所使用的碳刷是“自停式”，電動機將自動地停止轉動。遇

到上述情況，應立即換上與圖上代號一致的新碳刷。

此外，碳刷應經常保持乾淨狀態，以保證能在刷握裏自由滑動。

### 3. 檢查安裝螺釘：

要經常檢查安裝螺釘是否緊固妥善。若發現螺釘鬆了，應立即重新扭緊，否則會導致嚴重的事故。

### 4. 潤滑

請每月在下述潤滑部添加一次機油，以延長切割機的使用壽命。（圖 1）

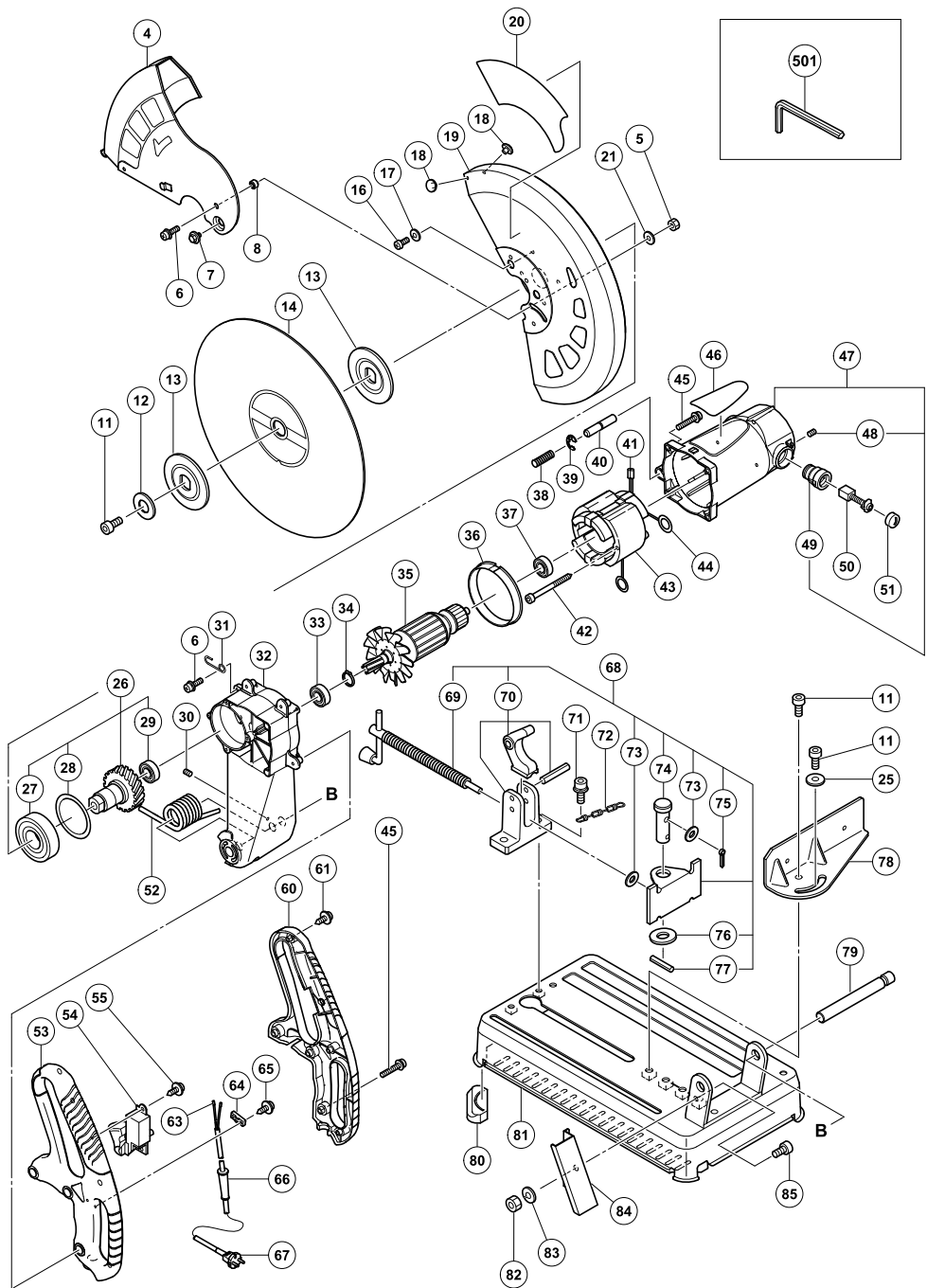
- 軸承旋轉部
- 夾具旋轉部
- 夾具 (A) 的滑道

### 5. 清洗

必須經常用布將機身上的切屑和灰塵擦掉。請小心不要機油或水弄濕馬達部分。

#### 註：

為求改進，本手冊所載規格可能不預先通告而徑予更改。



ITEM NO.	PART NAME
4	SUB COVER (A)
5	NUT M5
6	MACHINE SCREW (W/WASHERS) M5 × 16
7	FLANGE BOLT (A)
8	COVER SPACER
11	HEX. SOCKET HD.BOLT M10 × 20
12	WASHER (A)
13	WHEEL WASHER (A)
14	CUT-OFF WHEEL ASS'Y
16	MACHINE SCREW M5 × 12
17	SPRING WASHER M5
18	COVER BUSH
19	WHEEL COVER (A)
20	BRAND LABEL
21	BOLT WASHER M5
25	BOLT WASHER M10
26	SPINDLE ASS'Y
27	BALL BEARING 6306ZZCM
28	BEARING PLATE
29	BALL BEARING
30	SEAL LOCK HEX. SOCKET SET SCREW M5 × 16
31	CHAIN HOOK
32	GEAR CASE
33	BALL BEARING 6002VVCM
34	RETAINING RING FOR D15 SHAFT
35	ARMATURE ASS'Y
36	FAN GUIDE
37	BALL BEARING
38	GAUGE SPRING
39	RETAINING RING (E-TYPE) FOR D6 SHAFT
40	STOPPER PIN
41	TUBE(D)
42	HEX. HD. TAPPNG SCREW D5 × 75
43	STATOR ASS'Y
44	BRUSH TERMINAL
45	MACHINE SCREW (W/WASHERS) M5 × 35
46	NAME PLATE
47	HOUSING ASS'Y
48	HEX. ESSOCKET SET SCREW M5 × 8
49	BRUSH HOLDER
50	CARBON BRUSH
51	BRUSH CAP
52	SPRING
53	HANDLE
54	SWITCH
55	TAPPING SCREW (W/FLANGE)
60	HANDLE COVER
61	TAPPING SCREW (W/FLANGE) D4 × 16
63	TUBE(D)
64	CORD CLIP
65	TAPPING SCREW (W/FLANGE) D4 × 16
66	CORD ARMOR
67	CORD

ITEM NO.	PART NAME
68	WISE ASS'Y
69	SCREW
70	SCREW HOLDER
71	HEX. SOCKET HD. BOLT (W/WASHERS) M8 × 25
72	CHAIN
73	BOLT WASHER M8
74	BOLT
75	SPLIT PIN D3 × 15
76	WASHER M16
77	ROLL PIN D5 × 25
78	WISE (B)
79	HINGE SHAFT
80	BASE RUBBER
81	BASE
82	NUT M8
83	SPRING WASHER M8
84	SPARK CHUTE
85	HEX. SOCKET HD. BOLT M8 × 20
501	HEX. BAR WRENCH 8MM

**Koki Holdings Co., Ltd.**

806  
Code No. C99142231 F  
Printed in China