

Simba 1254 Long-hole drilling rig

Hydraulic production drill rig for long-hole mining, and medium-to-large hole ranging from 64 to 89 mm in diameter.



Comprehensive production drill rig

The Simba 1254 is widely used in medium-drift mining for long-hole production drilling. It is capable of ring drilling and parallel drilling in 3 m lateral displacement with high performance top-hammer rock drill and angle reading system. It also provides typical drilling diameter on its flexible carrier, making it a production drill rig with excellent comprehensive performance.

+ Main benefits

Mechanized drilling The hydraulic drilling system relieves number of people working in site and their intensity of work while reducing personnel injury and health harm in order to meet more and more rigorous legislation requirement.

High penetration The high frequency of hydraulic rock drill and sturdy feed beam with angle reading system offers high penetration rate of drilling and precise hole linearity.

Flexibilities The small profile of the carrier combined with multi-length of feeder has both benefits of tramming in limited tunnel and drilling in uncompromising application. The versatile positioning unit and water-mist bring 360° and 3 m parallel drilling patterns.

The drilling unit that is mounted on a sliding table, the rotator and the pendulum arm give the drill rig easy positioning set up and steady, accurate drilling

Mobile control panel keeps the operator at a safe distance from the drilling area



Versatile positioning system supplies 3 meters parallel in horizontal and 360° ring pattern.



Digitized angle reading system helps operators to fulfill more accurate hole angle and depth.



Sturdy stingers on front and rear to support drilling in steady position, that increases accuracy of drilling and decreases consumption of drill string.

The mechanized rod handling system relieves operators from heavy lifting work and is therefore an essential feature for maintaining high productivity

FOPS approved canopy protects operators in safe place

Hydraulic driven cable reel releases work intensity for operator, and adds more time for drilling



A classic rig for long hole production drilling

The Simba 1254 is equipped with well-known carrier and drilling components with sustaining updatings. It offers great reliability while making dependable productivity. The damping and anti-jamming function bring better drill steel economy and improved drilling straightness.



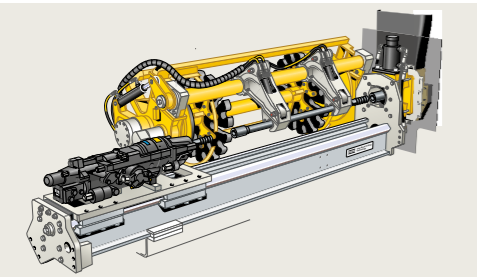
+ COP 1838+ rock drill of high speed penetration rate

The COP 1800+ series is created to provide you with increased service intervals, it has recommended service intervals increased by 50%, giving higher machine utilization and reduced operation costs.



+ 360° drilling

The Simba 1254 equipped with water-mist system is able to drill both upwards and downwards which provides versatile drilling patterns for you.



+ Rod handling system

The mechanized rod handling system relieves the operator from heavy lifting work and is therefore an essential feature for maintaining high productivity.



A comprehensive service offering

Even the best equipment needs to be serviced regularly to make sure it sustains peak performance. An Epiroc service solution offers peace of mind, maximizing availability and performance throughout the lifetime of your equipment. We focus on safety, productivity and reliability.

By combining genuine parts and an Epiroc service from our certified technicians, we safeguard your productivity – wherever you are.

Technical specifications

● - Standard ○ - Option

Drilling system

COP 1838+ (Max impact power 18 kW)	○
COP 1838MUX+ (Max impact power 18 kW)	○
COP 1838HE+ (Max impact power 19 kW)	○
COP 1838HUX+ (Max impact power 19 kW)	○
Water mist flushing, external water and air supply (hydraulic oil cooled by water cooler)	○
Water mist flushing, external water and air supply (hydraulic oil cooled by air fan)	○
External air supply connection for hole blowing kit	●
Rock drill lubrication warning kit	●
Thread lubrication kit	○

Drilling unit

Rod Handling System, RHS 17 (17x1 rods) mechanized drilling up to 32 m	●
Adaptable to 4', 5' and 6' rods	●
Adaptable to T38, T45 Speedrods	○
Adaptable to TDS 64 guide tube	○

Positioning system

Feed extension 900 mm (with 4' drill steel)	○
Feed extension 1 200 mm (with 5' or 6' drill steel)	○
Rotary Actuator BHR 30 for 360° ring drilling	●
Sliding table BHT 15 gives 1.5 m feed parallel positioning	●
Pendulum arm BHP 12 gives 1.5 m feed parallel positioning in the side walls	●
Adds additional 1.5 m feed parallel positioning upwards/downwards	●
1 rear and 1 front stinger	●
Rig Alignment Laser RAL650	●
Automatic lubrication for positioning unit	○
Central lubrication for drilling and positioning unit	●

Feed

BMH 200-series (BMH 2_4, BMH 2_5, BMH 2_6): 3 160 mm, 3 465 mm, 3 770 mm	○
BMH 200-series (BMH 2_4X, BMH 2_5X, BMH 2_6X): 3 365 mm, 3 670 mm, 3 975 mm	○

Control system

Electrical Direct System, EDS 18	●
Basic functions such as semi-automatic drilling and antijamming included	●
Angle reading instrument ARI 6C	●
ARI 6C angle reading system, with hole depth measurement	○

Hydraulic system

Hydraulic pump for percussion, positioning and feed	●
Hydraulic pump for rotation	●
Pumps unloaded at start	●
System pressure, max 230 bar	●
Hydraulic oil tank volume, 138 L	●
Low oil level indicator including shut down	●
Oil temperature gauge	●
Hydraulic oil thermostat	●
Water/oil cooler in stainless steel	●
Filtration 10 µm	●
Oil filter indicator	●
Mineral hydraulic oil	●
Electrical hydraulic oil filling pump	●
Ni-Cr plated piston rods (limitations exist)	●

Electrical system

Total installed drilling power 70 kW (main motor 55 kW)	●
Voltage 380-1 000 V	●
Frequency 50-60 Hz	●
Starting method: star/delta (380-690 V), direct (1 000 V)	●
Thermal overload protection for electric motors	●
Percussion hour meter on panel of electric cabinet	●
Digital voltmeter/amperage meter in electric cabinet	●
Phase sequence and earth fault indicator	●
Battery charger	●
Transformer 4 kVA	●
Cable reel, inner/outer diameter: 660/1 195mm	●
Limit switch for cable reel with signal lamp and brake connection	●
Cable	○
Plug	○
Socket	○
Connector	○
Switch gear	○
Full color 4.3-inch LCD display	●

Carrier

Deutz TCD3.6L4, China IV, 60 kW (2 300 rpm), 358 Nm (1 600 rpm)	●
Engine after-treatment, EGR+DOC+DPF	●
Fixed seat for tramping, including safety belt	●
Articulated steering ±41° steering angle	●
Four-wheel drive	●
FOPS certified protective canopy	●
Hydraulic power steering system	●
Hydrostatic transmission	●
Front axle, Dana 112	●
Rear axle, Dana 112, ±10° oscillation	●
Automatic differential lock on front and rear axles, limited slip	●
Tires 8.25R15	●
15" clearance outside axles	●
Front and rear hydraulic jacks	●
Service brakes: 2 separate circuits, hydraulically applied fully enclosed wet disc brakes	●
Emergency and parking brakes, SAHR	●
Fuel tank, volume 60 L	●
Electric system 24 V	●
24 V batteries 2x70 Ah	●
Tramming lights LED, 8x24 W, 24 V	●
Working light on tripod, LED, 2x50 W, 24 V	●
Joystick-controlled spotlight right, LED, 1x35 W, 24 V DC	●
Joystick-controlled spotlight left, LED, 1x35 W, 24 V DC	○
Illuminated stairs for platform LED	●
Brake lights	●
Turning lights, Speedometer, Engine tachometer	○
Horn, beacon and reverse alarm	●
12 V outlet for communication radio	●
Central lubrication system	●
Handheld fire extinguisher	○
Fire suppression system ANSUL-Manual release	○
Fire suppression system ANSUL-Automatic release (Checkfire)	○
Spirit level for longitudinal and sideway	●
Gradeability at max load on drive wheels, 1:4	●

Technical specifications

● - Standard ○ - Option

Air system

Lubricated air for the rock drill	●
Compressor: Atlas Copco LE7, capacity 12 L/s at 5 400 rpm and 7 bar	○
Air pressure gauge	●
Adjustable flow/pressure	●
Air flow guard	●
Manual lubrication kit	○

Documentation

Operator and service manual hard copy	●
Parts Book-hard copy	○

Miscellaneous

KA certificate	○
----------------	---

Water system

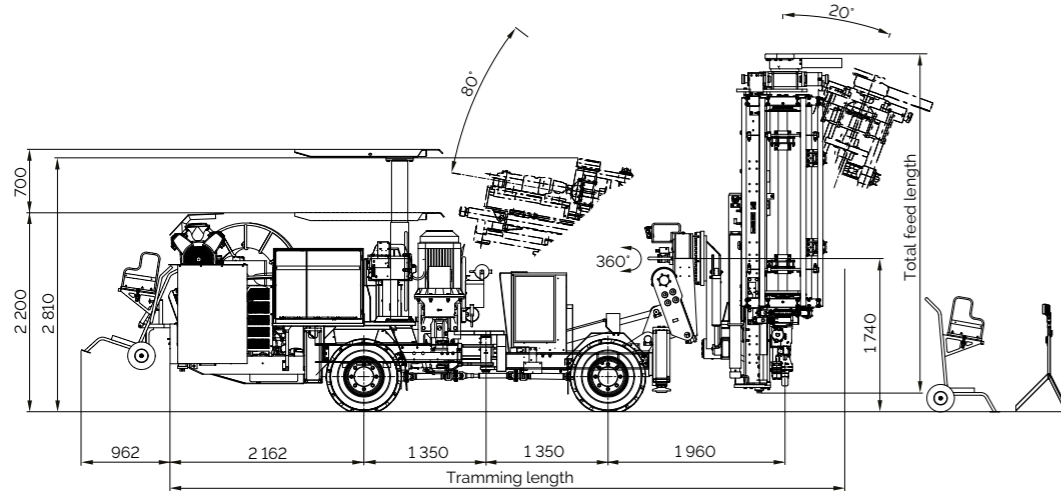
Min water inlet pressure 2 bar	●
Electric water booster pump, Lowara, FLYGT 5SV, capacity max 100 L/min at 10 bar	●
Water pressure gauge	●
Water flow guard	●
Rig washing kit with water hose and reel	○

Drifter rods/pipes

Rock drill	Rod/pipe	Guide tubes	Hole diameter (mm)	Rod/pipe length (mm)
COP 1838*	T38 Speedrod	N/A	64-76	1220/1525/1830
	T45 Speedrod	TDS 64	76-89	1220/1525/1830

Measurements

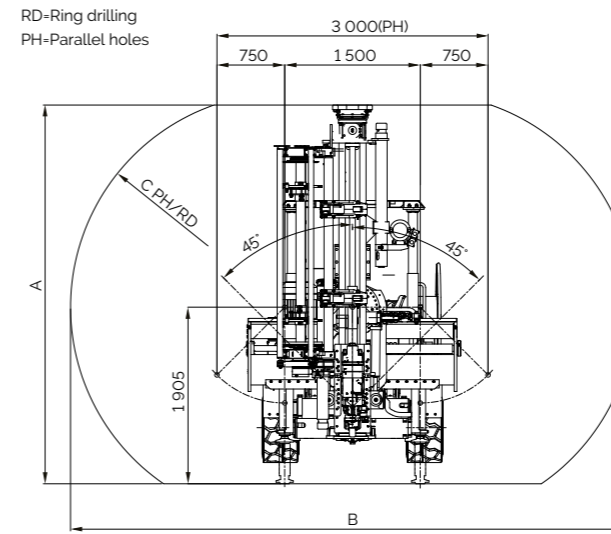
Side view



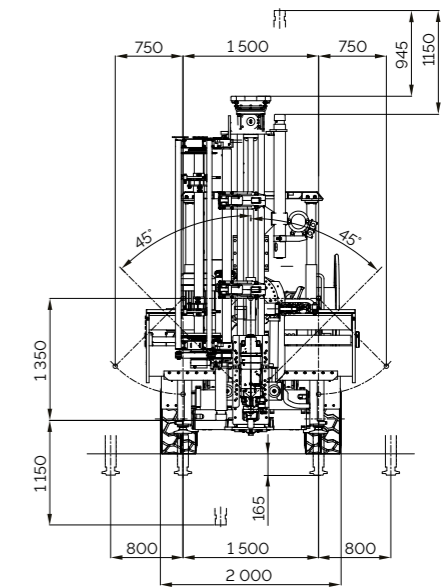
Technical specifications

Measurements

Coverage area



Front view



	BMH 214	BMH 215	BMH 216
A	3 665	3 970	4 275
B	5 020	5 630	6 240
c	1 760	2 065	2 370

Above figures are maximum dimensions.

Dimensions

Measurement	Simba 1254
Width	2 310 mm
Length, tramping (with BMH 214/215/216)	6 802/7 102/7 410 mm
Height, tramping (Feed)	2 810 mm
Height roof up/down	2 220/ 2 920 mm
Ground clearance	260 mm
Turning radius outer/inner	5 100/ 2 500 mm

Gross weight (depending on configuration)

Rig type	Total (kg)	Boom side (kg)	Engine side (kg)
Simba 1254	13 500	9 000	4 500

Recommended cable size and length

Voltage (V)	Type	Dimension (mm ²)	Diameter (mm)	Length (m)
380-400	KA Cable	3×70+3G16	43	100
380-400	Rockflex	3×70+3G16	37	125
440-575	KA Cable	3×50+3G10	39	100
440-575	Rockflex	3×50+3G10	32	150
660-1 000	KA Cable	3×35+3G6	34	150
660-1 000	Rockflex	3×35+3G6	28	205

Recommendations are given for surrounding temperature of 40°C and up to a height of 2 000 m.

Recommended drift size

Feed	Rod (mm)	Min HxW (mm)
BMH 214	1 220	3 600x3 600
BMH 215	1 525	3 900x3 900
BMH 216	1 830	4 200x4 200

Tramming speed

km/h	On flat ground (rolling resistance 0.05)	>10
	On incline 1:8	>4

United in performance. Inspired by innovation.

Performance unites us, innovation inspires us, and commitment drives us to keep moving forward. Count on Epiroc to deliver the solutions you need to succeed today and the technology to lead tomorrow.
epiroc.com

