

⑩ 高輝度 LED(フルカラー・自己点滅 透明・5mm)
LK-5RGB-WC

5mm Flashing Red & Blue & Green LED

OSTB5131A

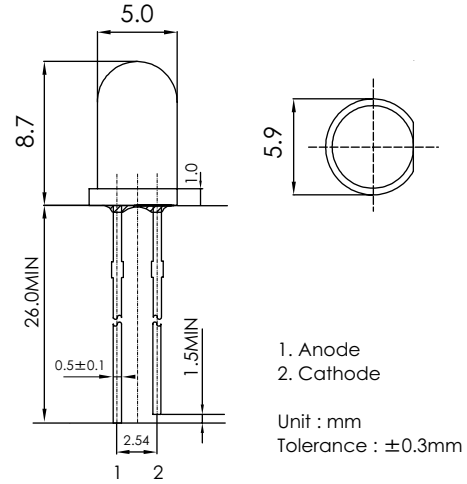
■ Features

- High Luminous LEDs
- 5mm Round Standard Directivity
- Superior Weather-resistance
- Full Color Flashing Type
- Water Clear Type

■ Applications

- Toys
- Games
- Audio
- Other Lighting

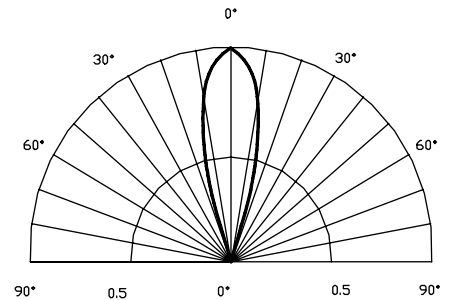
■ Outline Dimension



■ Absolute Maximum Rating (Ta=25°C)

Item	Symbol	Value	Unit
IC Output Current	Iop	100	mA
Power Supply	Voltage	5.0	V
Operating Temperature	Topr	-30~+85	°C
Storage Temperature	Tstg	-40~+100	°C
Lead Soldering Temperature	Tsol	260°C/5Sec	-

■ Directivity



■ Electrical-Optical Characteristics (Ta=25°C)

Item	Symbol	Condition	Min.	Typ.	Max.	Unit
DC Forward Voltage	Vdd	If=20mA	3.8	4.5	5	V
Blinking Cycle	T		-	33	-	S
DC Reverse Current	IR	VR=5V	-	-	10	μA
Domi. Wavelength	λ D(Red)	If=20mA	635	640	645	nm
	λ D(Blue)	If=20mA	465	470	475	nm
	λ D(Green)	If=20mA	520	525	530	nm
Luminous Intensity	Iv(Red)	If=20mA	750	1120	1560	mcd
	Iv(Blue)	If=20mA	1120	1560	2180	mcd
	Iv(Green)	If=20mA	2180	3000	4200	mcd
50% Power Angle	2θ 1/2	If=20mA	-	30	-	deg

*1 Tolerance of dominant wavelength is ±1nm

*2 Tolerance of luminous intensity is ±15%