



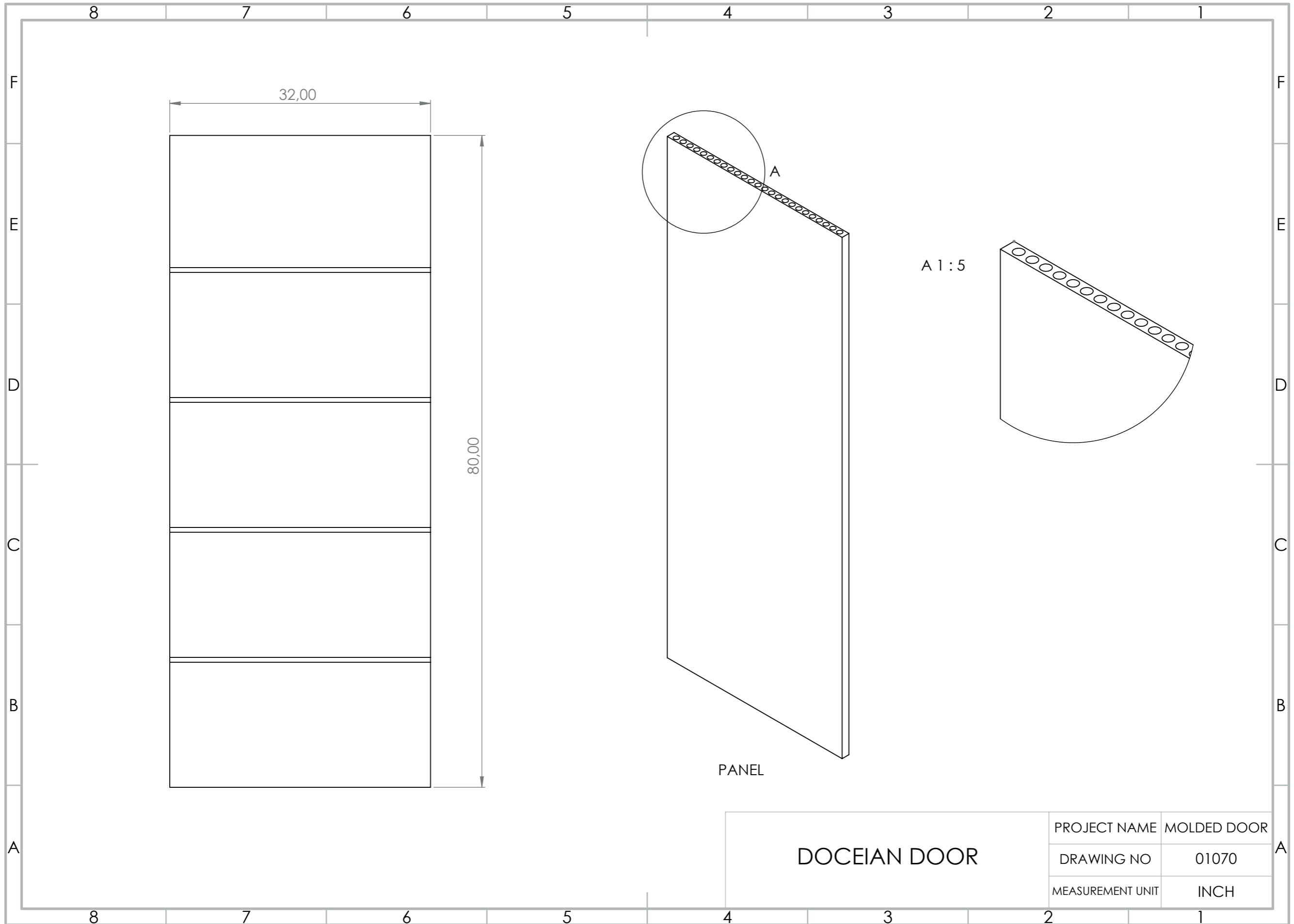
# Technical Drawing Catalogue

## Get Inspired

The interior door series is rich with attraction, figure and identity also bringing style into your home !



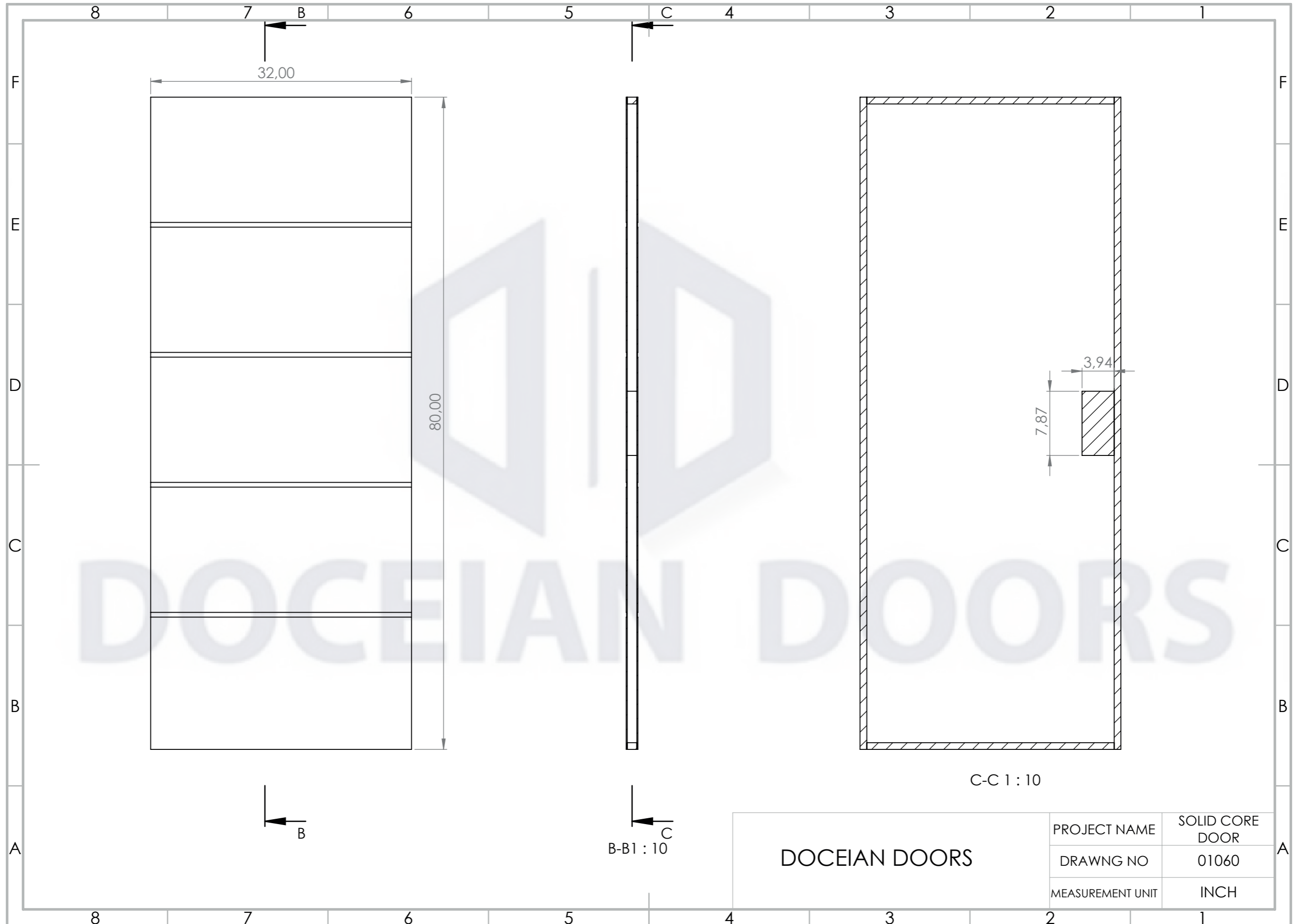
# MOLDED DOOR TECHNICAL DRAWING



DOCEIAN DOOR

PROJECT NAME	MOLDED DOOR
DRAWING NO	01070
MEASUREMENT UNIT	INCH

# SOLID CORE DOOR TECHNICAL DRAWING

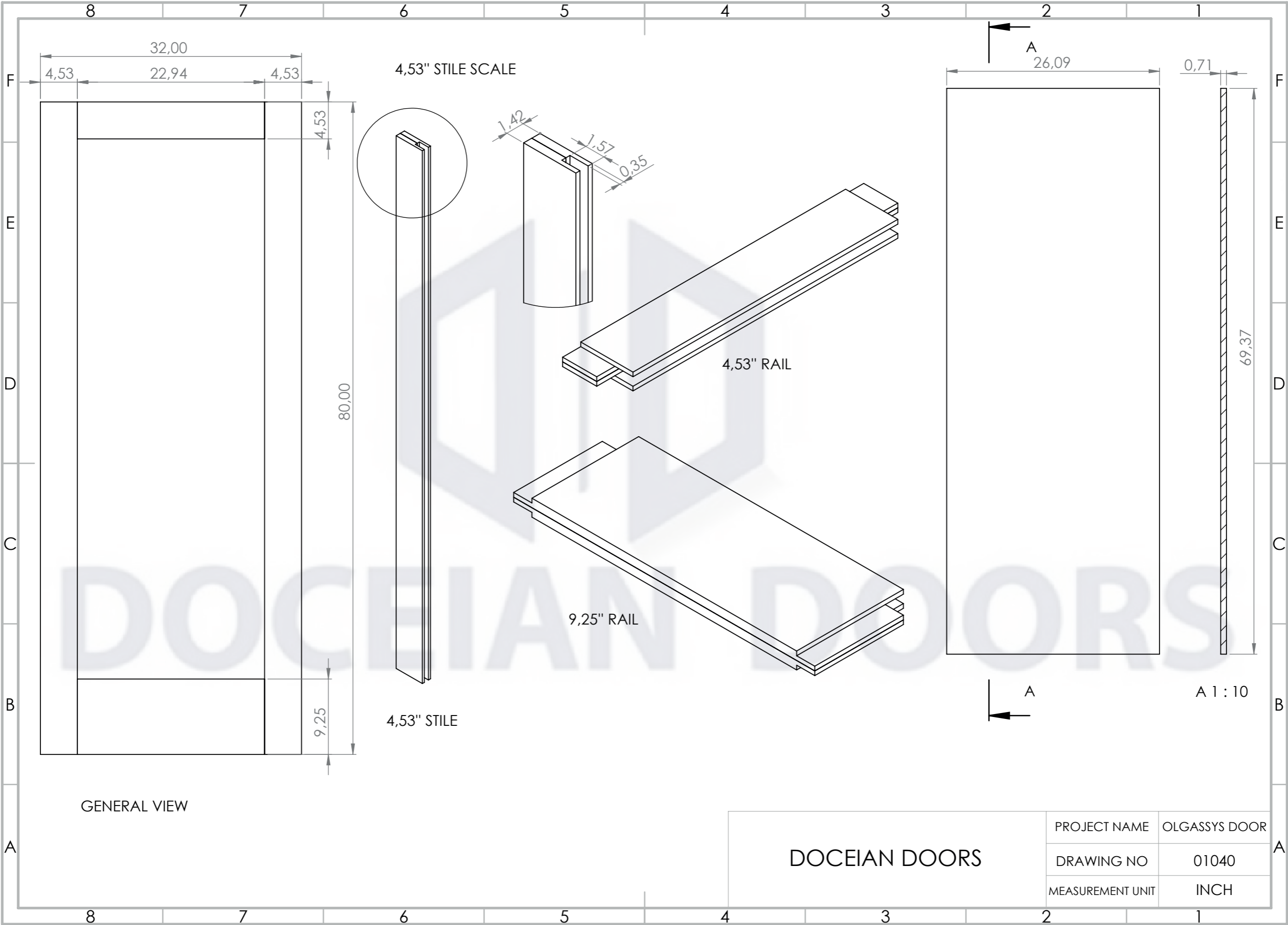


C-C 1 : 10

DOCEIAN DOORS

PROJECT NAME	SOLID CORE DOOR
DRAWNG NO	01060
MEASUREMENT UNIT	INCH

# OLGASSYS DOOR TECHNICAL DRAWING



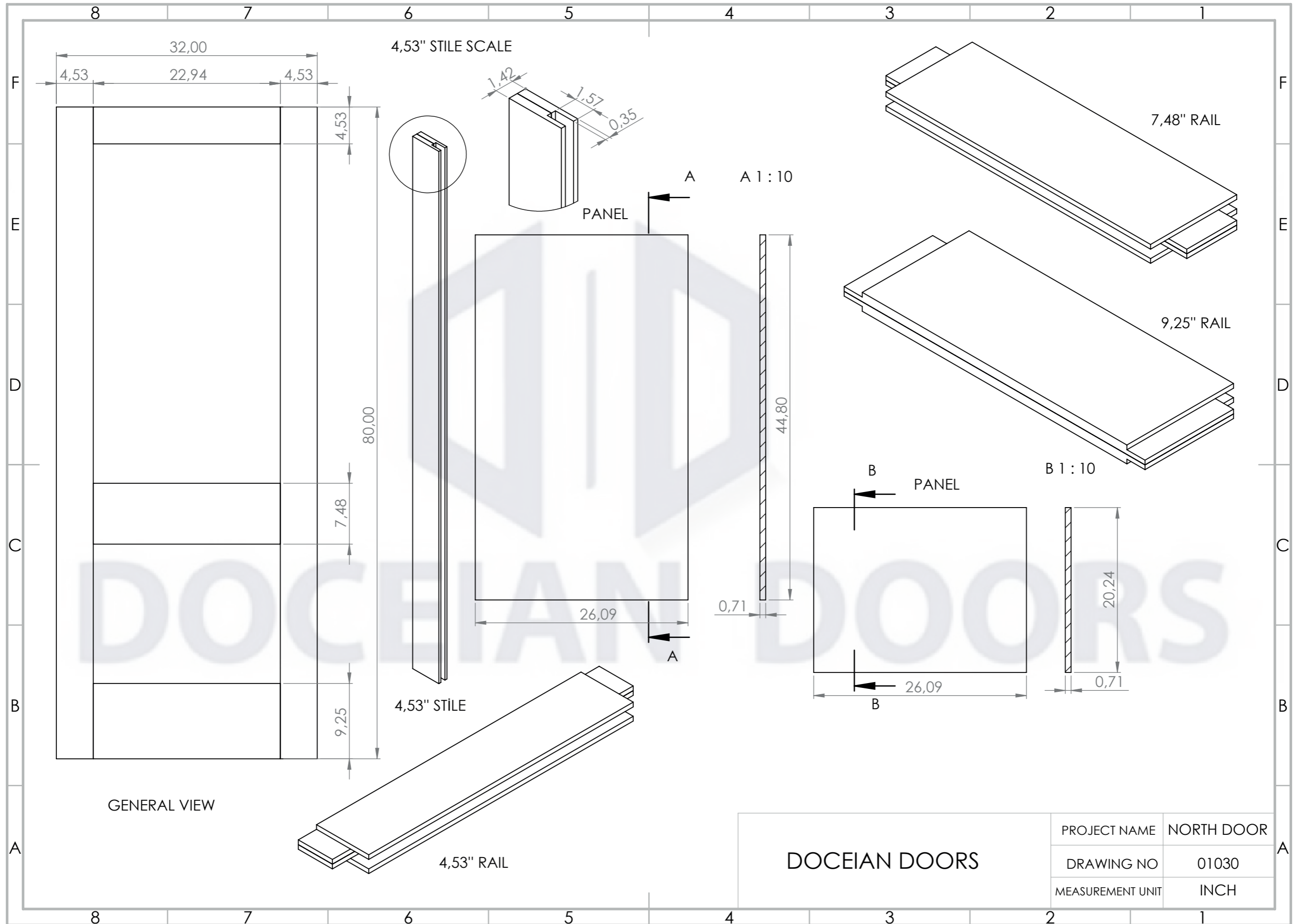
GENERAL VIEW

DOCEIAN DOORS

PROJECT NAME	OLGASSYS DOOR
DRAWING NO	01040
MEASUREMENT UNIT	INCH



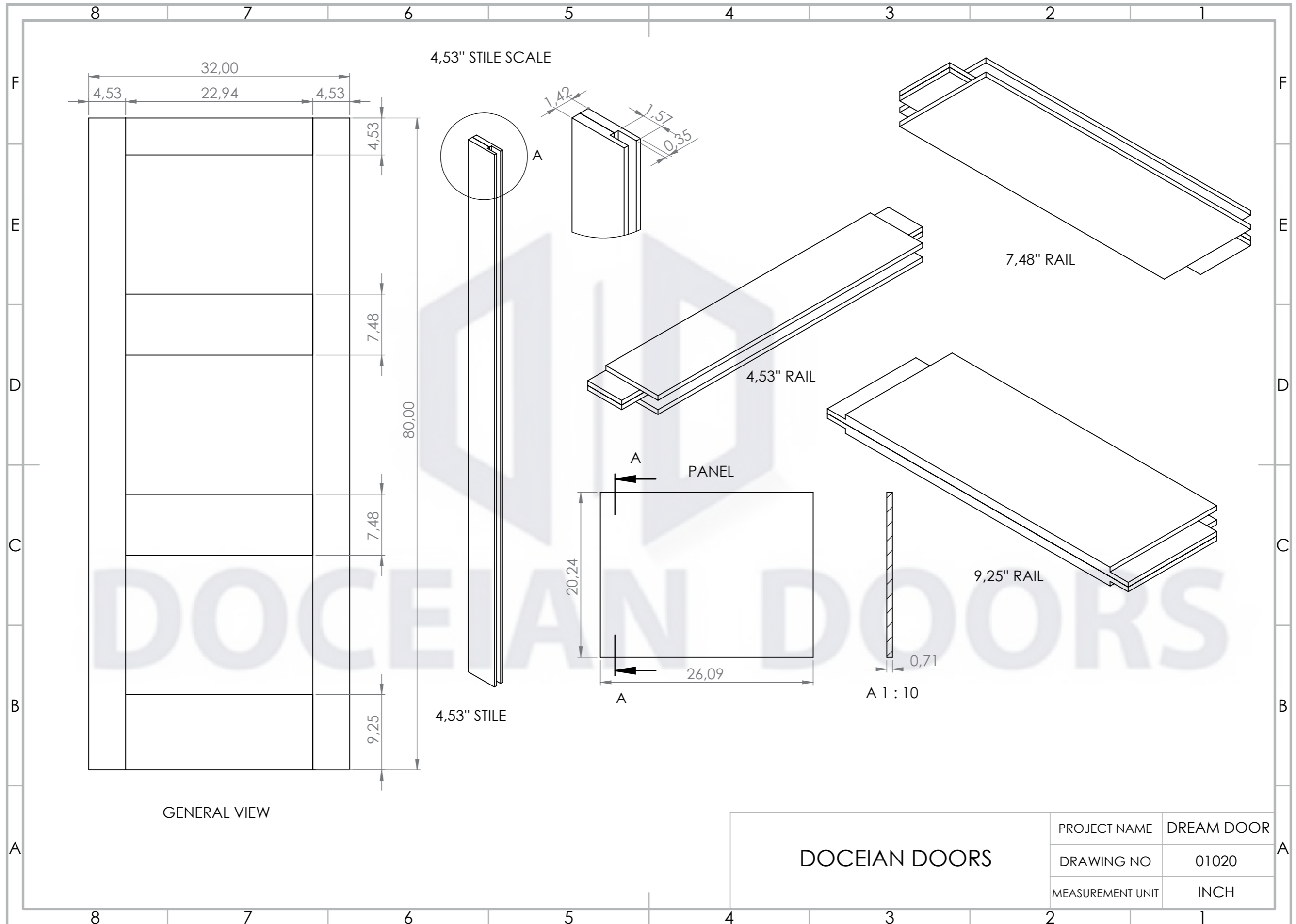
# NORTH DOOR TECHNICAL DRAWING



DOCEIAN DOORS

PROJECT NAME	NORTH DOOR
DRAWING NO	01030
MEASUREMENT UNIT	INCH

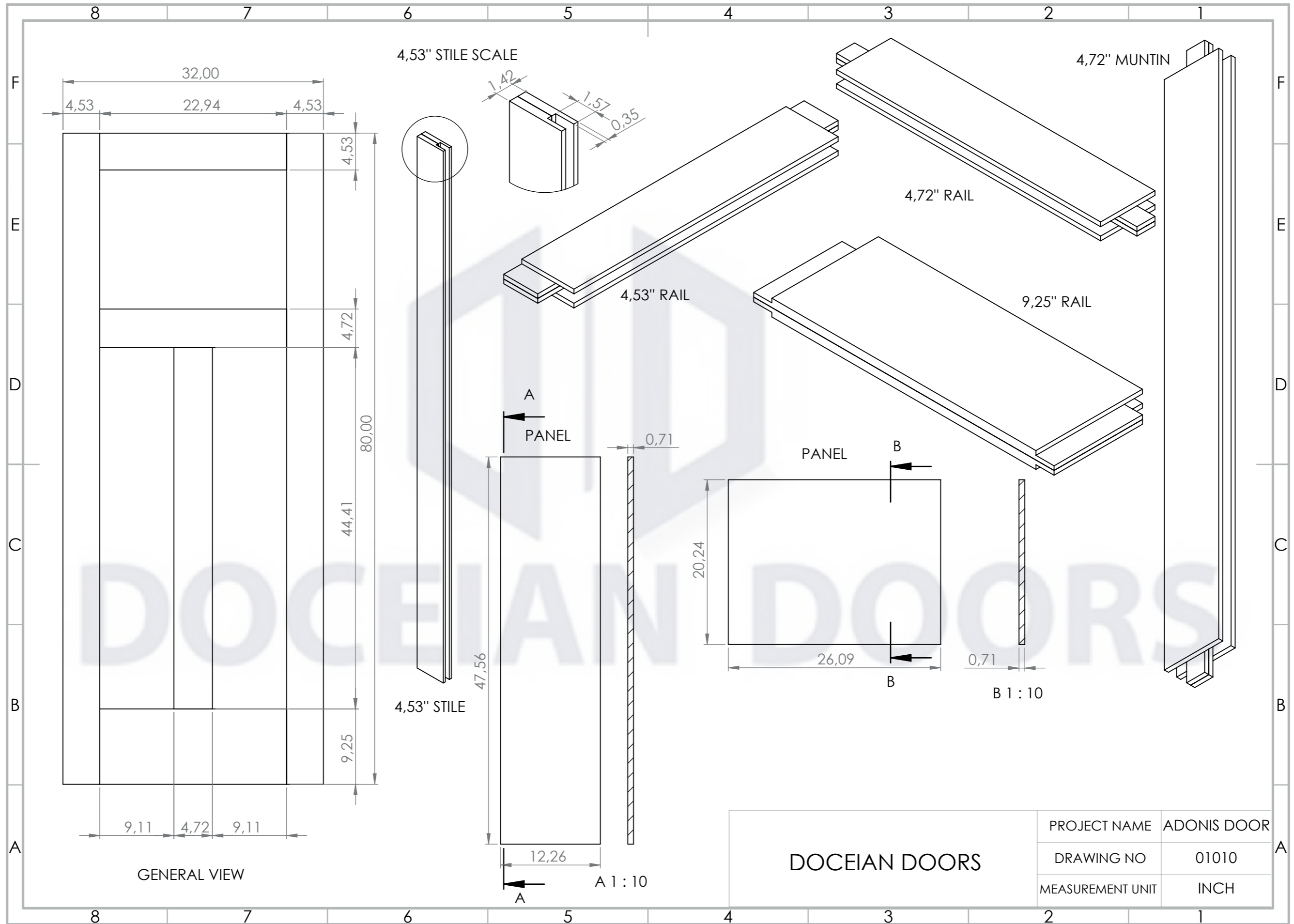
# DREAM DOOR TECHNICAL DRAWING



DOCEIAN DOORS

PROJECT NAME	DREAM DOOR
DRAWING NO	01020
MEASUREMENT UNIT	INCH

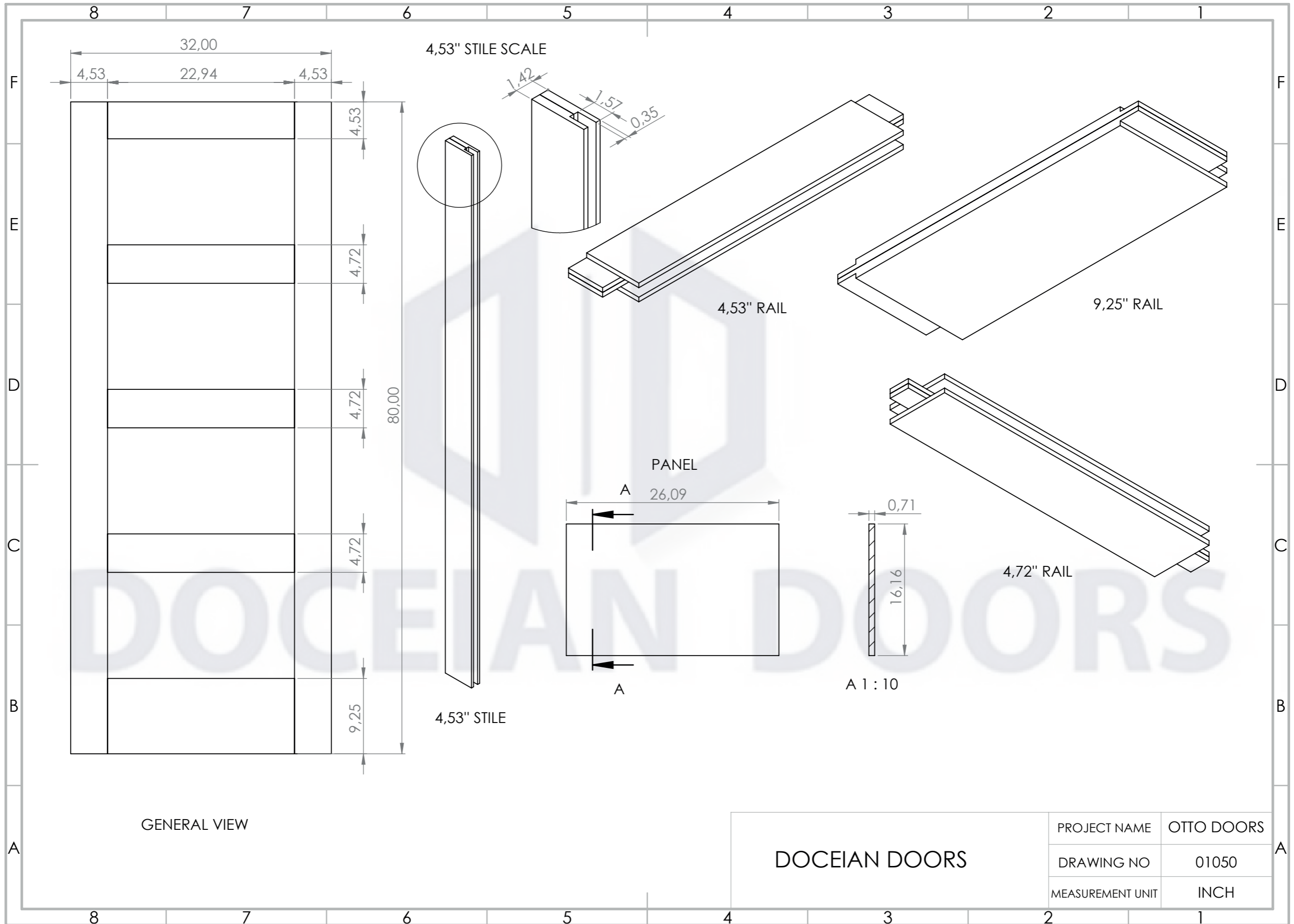
# ADONIS DOOR TECHNICAL DRAWING



DOCEIAN DOORS

PROJECT NAME	ADONIS DOOR
DRAWING NO	01010
MEASUREMENT UNIT	INCH

# OTTO DOOR TECHNICAL DRAWING



GENERAL VIEW

DOCEIAN DOORS

PROJECT NAME	OTTO DOORS
DRAWING NO	01050
MEASUREMENT UNIT	INCH





# DOCEIAN DOORS

11 Town Square Place Suite 1203 PMB 1146  
Jersey City, NJ 07310

Phone:

+1 551 267 63 73

+1 201 499 10 66

Email: [info@doceiandoors.com](mailto:info@doceiandoors.com)

[www.doceiandoors.com](http://www.doceiandoors.com)