

# BAY CRANE

N O R T H E A S T

10,000# Forklift



Manitou MRT 2150  
Load Charts & Specs

# MANISCOPIC

# MRT 2150

Tier III

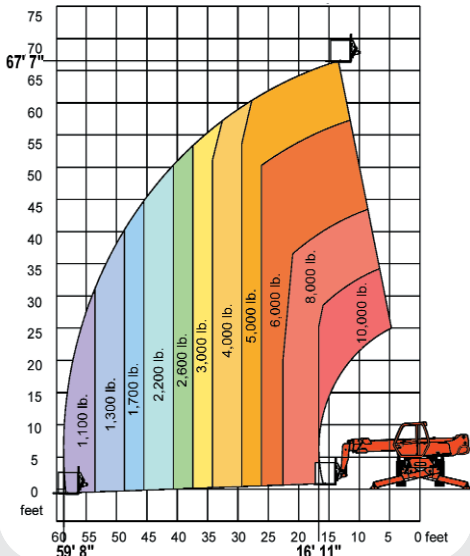


*New Cab  
Design*

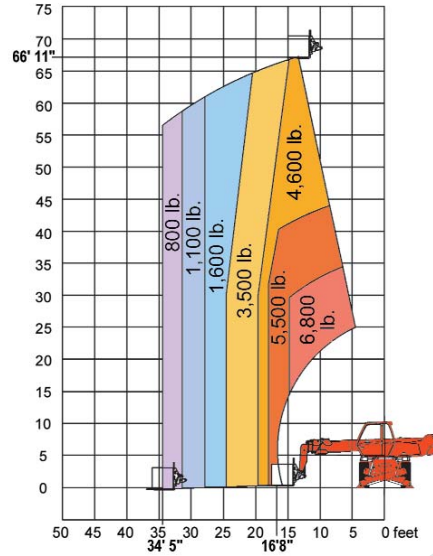
- Lift Capacity: 10,000 lb.
- Maximum Lift Height: 67 ft. 7 in.
- Maximum Forward Reach: 59 ft. 8 in.
- Mercedes "Tier III" 150 HP Engine
- Hydrostatic Transmission
- Four Wheel Drive
- Continuous Rotation
- Three Steering Modes
- Frame Leveling

 **MANITOU**<sup>®</sup>

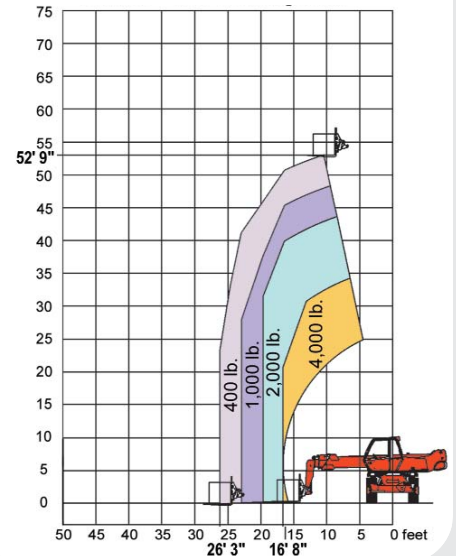
Rotation on Stabilizers with Forks



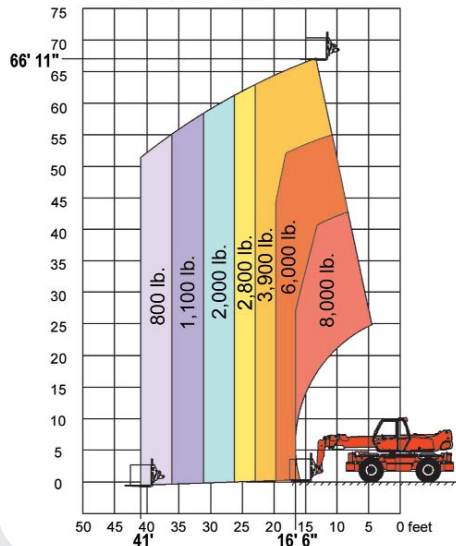
Rotation on Partial Stabilizers with Forks



Rotation on Tires with Forks

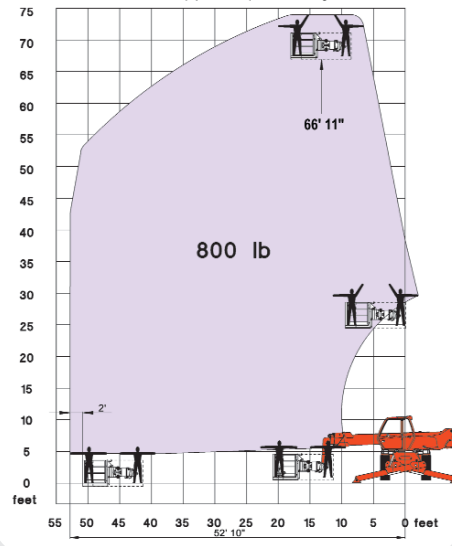


Frontal Position on Tires with Forks



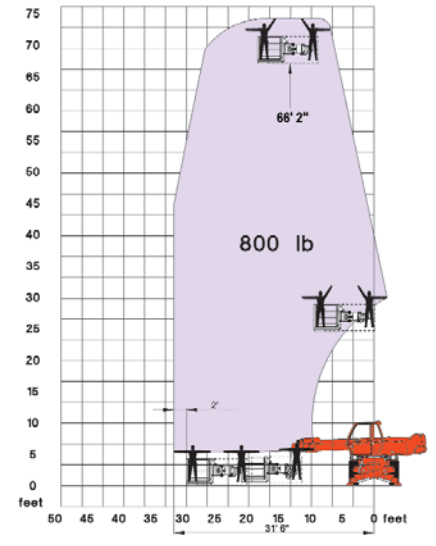
Rotation on Stabilizers with 800# Capacity Work Platform

Max. Load - 800 lb. (3 persons inc.) - Max Work Height - 73' 6"

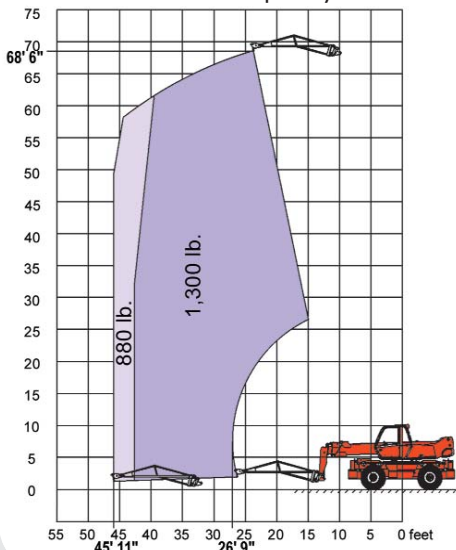


Rotation on Partial Stabilizers with 800# Capacity Work Platform

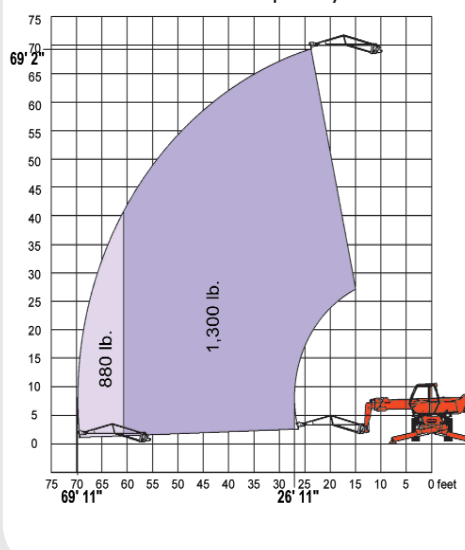
Max. Load - 800 lb. (3 persons inc.) - Max Work Height - 72' 9"



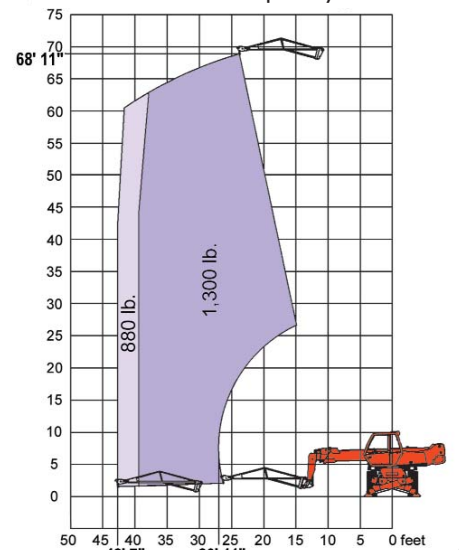
Frontal Position on Tires with 1300# Capacity Jib



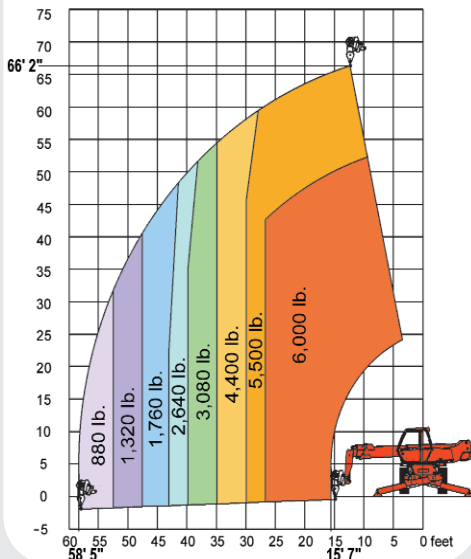
Rotation on Stabilizers with 1300# Capacity Jib



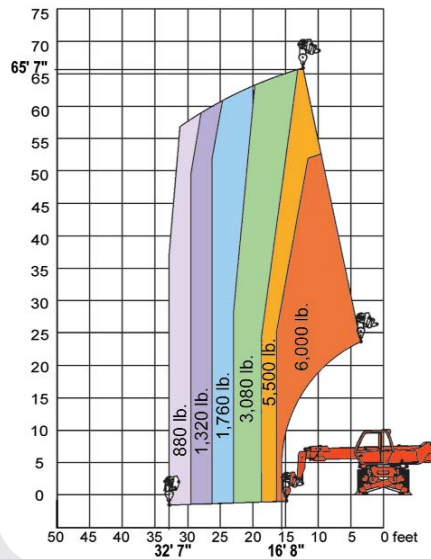
Rotation on Partial Stabilizers with 1300# Capacity Jib



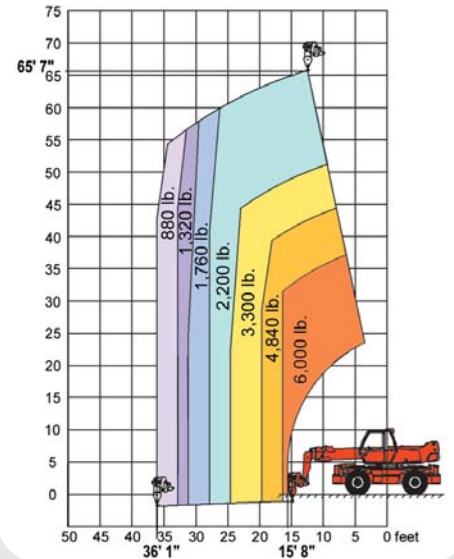
Rotation on Stabilizers with 3 Ton Capacity Winch



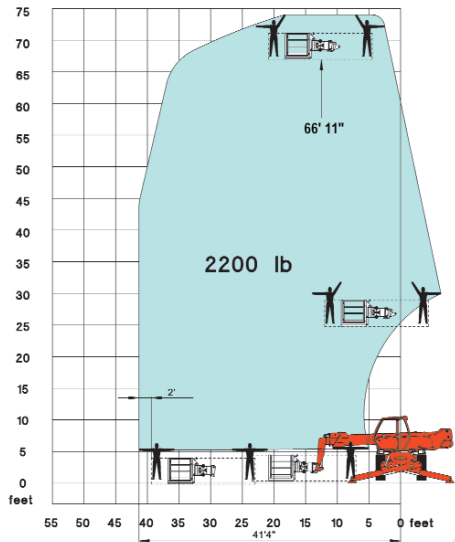
Rotation on Partial Stabilizers with 3 Ton Capacity Winch



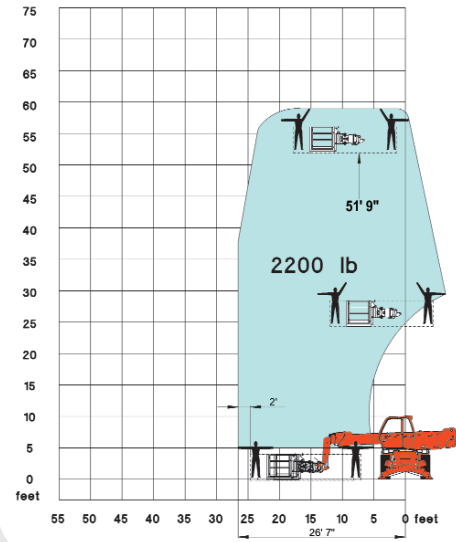
Frontal Position on Tires with 3 Ton Capacity Winch



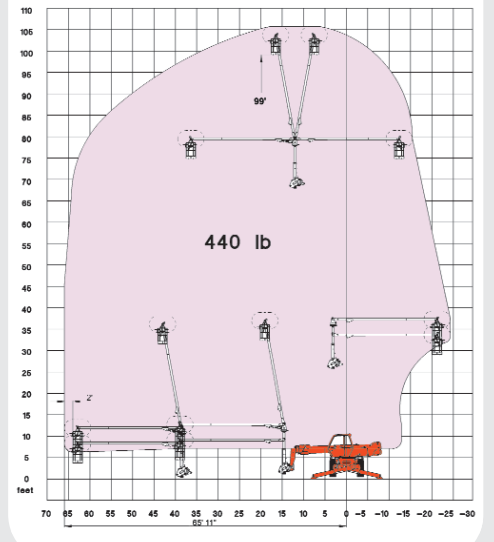
Rotation on Stabilizers with 2200# Capacity Work Platform  
Max. Load - 2200 lb. (3 persons inc.) - Max Work Height - 73' 6"



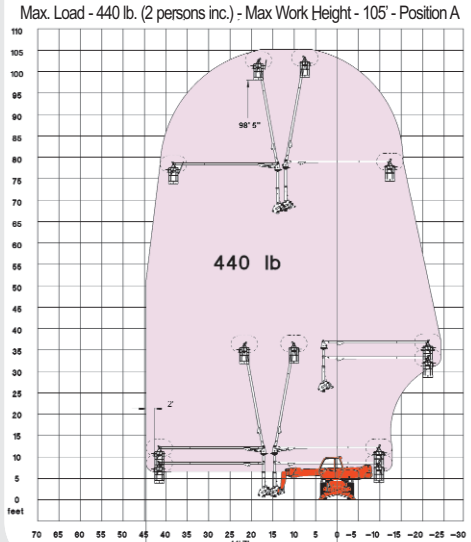
Rotation on Partial Stabilizers with 2200# Capacity Work Platform  
Max. Load - 2200 lb. (3 persons inc.) - Max Work Height - 58' 5"



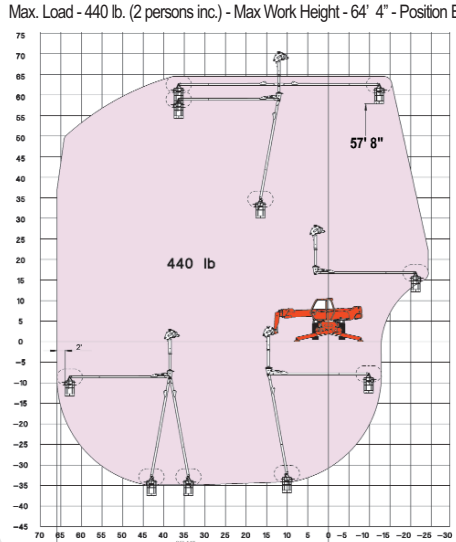
Rotation on Stabilizers with Rotating Pendulum Basket  
Max. Load - 440 lb. (2 persons inc.) - Max Work Height - 105' 7\"/>



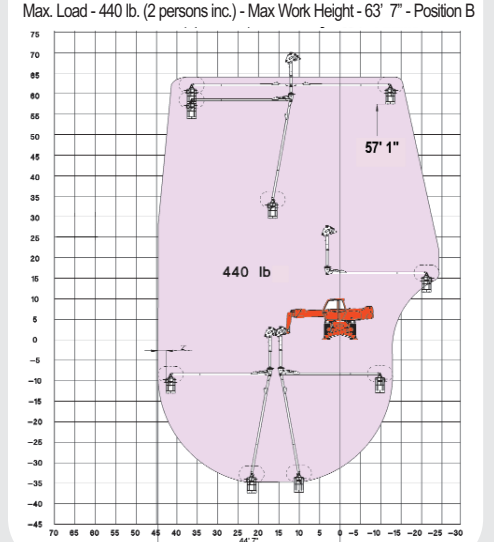
Rotation on Partial Stabilizers with Rotating Pendulum Basket  
Max. Load - 440 lb. (2 persons inc.) - Max Work Height - 105' - Position A



Rotation on Stabilizers with Rotating Pendulum Basket  
Max. Load - 440 lb. (2 persons inc.) - Max Work Height - 64' 4\"/>



Rotation on Partial Stabilizers with Rotating Pendulum Basket  
Max. Load - 440 lb. (2 persons inc.) - Max Work Height - 63' 7\"/>



# MRT 2150P



## Lift Capacity:

Max. (24" load center - on stabilizers)...10,000 lb.



## Lift Height:

Maximum lift height.....67 ft. 7 in.  
Maximum forward reach.....59 ft. 8 in.



## Tires:

.....18 x 22.5 16PR



## Brakes:

...Multidisc - hydraulically assisted on four wheels  
Negative parking brake



## Engine:

Type.....Mercedes OM 904 LA Turbo Diesel  
Displacement .....4 cyl. 259 cu. in.  
Power .....150 HP / 110 kw  
Maximum Torque ..... 428 ft.lb. at 1400 rpm  
Injection .....Direct  
Cooling .....Water



## Transmission:

Type .....Hydrostatic  
Electro-hydraulic reversing shift  
Speeds forward/reverse .....2/2  
Maximum travel speed .....22 mph



## Axles:

Frame leveling on front axle .....+/- 8°  
Automatic rear axle locking system on 15° rotation



## Stabilizers:

....Four simultaneous or individually controlled



## Rotation:

.....Continuous  
Turret mounted on a planetary rotation gearbox with internal gear  
Hydraulic and electric rotation



## Hydraulics:

Three pumps .....Gear type  
Flow .....3900 PSI - 42 gpm  
Flow divider with priority to steering and braking



## Controls:

Two hydraulic proportional control joysticks for all hydraulic movements



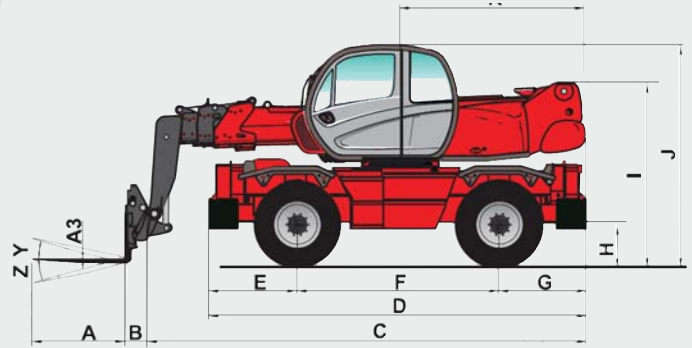
## Capacities:

Cooling system .....4 gal.  
Engine oil.....3 gal.  
Hydraulic oil.....53 gal.  
Fuel tank.....60 gal.



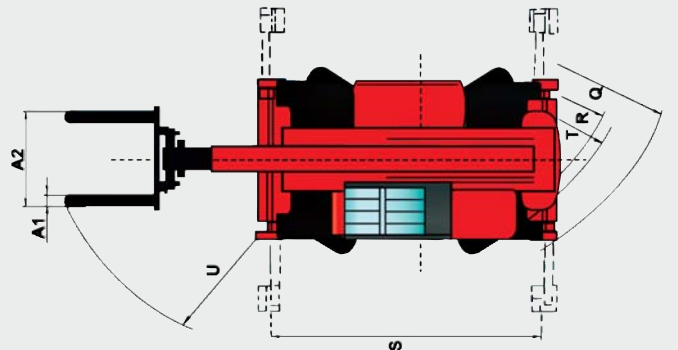
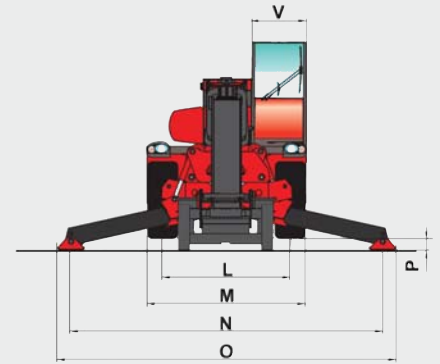
## Specifications:

Weight .....36,700 lb.  
Turning radius (outside wheels).....14 ft. 9 in.  
Overall height .....10 ft.  
Overall width .....8 ft.  
Overall length (without forks) .....22 ft. 2 in.  
Ground clearance .....15 in.  
Maximum drawbar pull.....18,450 lbf.



## DIMENSIONS:

A.....48	K.....98
A1.....4	L.....76
A2.....52	M.....96
A3...2.25	N.....185
B.....11	O.....201
C.....255	P.....8
D.....199	Q.....177
E.....45	R.....150
F.....109	S.....179
G.....45	V.....37
H.....14.5	Y.....12°
I.....95	Z.....105°
J.....119	



## STANDARD EQUIPMENT:

- Enclosed Cab
- Hydraulic Power Steering
- Three Steering Modes
- Full Time 4 Wheel Drive
- Limited Slip Front Axle
- Outer Planetary Hubs
- Adjustable Seat
- Full Instrumentation
- Load Moment Indicator
- Road Lights
- Horn
- Rotating Beacon
- Backup Alarm
- InboardWet Disc Brakes
- Negative Parking Brake
- Quick Fit Tool System
- Automatic Attachment Leveling
- Auxiliary Boom Hydraulics
- Left & Right Side Mirrors
- Neutral Start Switch
- Tow Pin

## OPTIONAL EQUIPMENT:

- A wide variety of attachments and options are available to meet the customer's individual applications

Dealer:



MANITOU NORTH AMERICA, INC. - P.O. Box 21386 - Waco, TX 76702-1386  
Tel: 800-433-3304 - Fax: 254-799-4433 - www.us.manitou.com



## Northeast Operations

### New York City

#### Bay Crane Service Inc.

11-02 43rd Avenue  
Long Island City, NY 11101  
718.392.0800 Tel.  
718.349.6681 Fax  
info@baycrane.com  
www.baycrane.com

### Long Island

#### Bay Crane Service of Long Island Inc.

389 New South Road  
Hicksville, NY 11801  
516.937.1523 Tel.  
516.937.3672 Fax  
info@baycrane.com  
www.baycrane.com

### Connecticut

#### Bay Crane Service of CT Inc.

37 Nettleton Road  
North Haven, CT 06473  
203.785.8000 Tel.  
203.785.8007 Fax  
ct@baycrane.com  
www.baycrane.com

### Rhode Island

#### Bay Crane Northeast Inc.

275 George Washington Hwy  
Smithfield, RI 02917  
401.349.2755 Tel.  
401.349.2799 Fax  
ne@baycrane.com  
www.baycrane.com

### Massachusetts

#### Bay Crane Northeast Inc.

88 Freeport Street  
Dorchester, MA 02122  
617.888.8636 Tel.  
ne@baycrane.com  
www.baycrane.com