



4620 SERIES

Knuckle Mount LED Accent Light

HIGHLIGHTS

- Uniquely designed with rugged sealed die-cast aluminum construction and an offset swivel mount for balance.
- Up to 554 lumens
- Optional half and full glare shields
- Die cast aluminum housing. IP66 rated
- Crowned tempered glass lens

5
YEAR
warranty



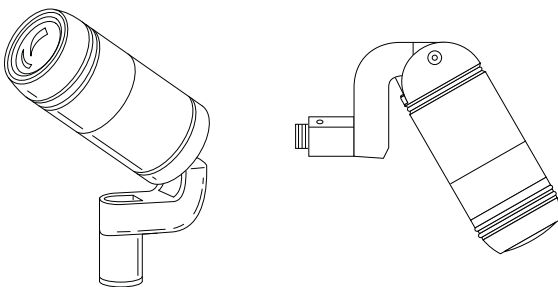
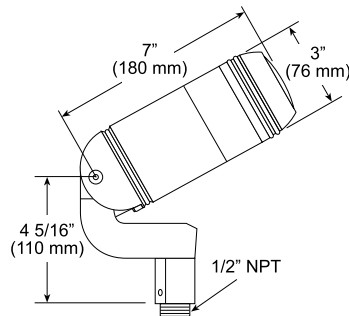
IP66



Specifications

Length:	7" 180 mm
Width:	3" 76 mm
Height:	4-5/16" 110 mm
Weight:	6lbs

DIMENSIONS



LUMEN PACKAGES

	SP	MFL
Delivered Lumens	459	554
Watts	10	10
LPW	46	52

Note: Information based on WHT41K

ORDERING INFORMATION

EXAMPLE: 4620 LED WHT41K 120 SP KM JBA GS LP BL

Model	LED Array	LED Color	Voltage ¹	Distribution	Mounting	Mounting Options ²	
4620	LED	WHT30K	White	120	SP Spot	Independent Mounting JBA Alum. J-Box JBB Bronze J-Box ARJB Architectural J-Box, Alum. SMSA_ 12"-48" Stanchion Mt, available in 6" increments. PSSA Pedestal Stanchion Mt WMC Wall Mt Cover WMSA Wall Mt with Splice Access PSS_ 18", 24", or 36" Polymer Sealed Ground Spike	
		WHT41K	White	277	MFL Medium Flood		
		WHT53K	White				
		AMBPC	Phosphor Converted Amber				
		AMBLW	Limited Wavelength 591 nm Amber				
		BLU	Blue				
		GRN	Green				
		RED	Red				
							SBA_ ³ 12" or 18" Stake Mounted J-Box, Alum. SBB_ ³ 12" or 18" Stake Mounted J-Box, Bronze TRA Tree Mounted J-Box, Alum. TRB Tree Mounted J-Box, Bronze _TRAS Tree Mounted J-Box w/Alum. mounting strap, available with 1-4 J-Boxes per strap _TRBS Tree Mounted J-Box w/Bronze mounting strap, available with 1-4 J-Boxes per strap
		Accessories		Options			Lamp
Mounting Arms ⁵		External		LP LED Array Included	BL Black BZ Bronze DDB Dark Bronze DNA Natural Aluminum GN Green GR Gray	SND Sand STG Steel Gray TVG Terra Verde Green WH White CF Custom _Z Zinc Undercoat (i.e. BLZ) RALTB RAL Paint Finishes Note: RALTB pricing only, replace with applicable RAL call out when ready to order. See the RALBROCHURE for available options. It is recommended that Hydrel products only use textured paint.	IEC International Electro-Technical Commission (for use with 50HZ applications only)
EA__	Extended Arm Mt, 12", 24" or 36"	GS	Glare Shield				
EA45__	45° Extended Arm Mt, 12", 24" or 36"	FGS	Full Glare Shield, 6"				
EA90__	90° Extended Arm Mt, 12", 24" or 36"						

ELECTRICAL LOAD

Light Engines	Drive Current (mA)	System Watts	Current (A)				
			120	208	240	277	347
9 LED	500mA	10	0.083	0.048	0.042	0.036	0.029

PROJECTED LED LUMEN MAINTENANCE

Data references the extrapolated performance projections for the **Fixture** platform in a **25°C ambient**, based on 13,000 hours of LED testing (tested per IESNA LM-80-08 and projected per IESNA TM-21-11).

To calculate LLF, use the lumen maintenance factor that corresponds to the desired number of operating hours below. For other lumen maintenance values, contact factory.

Based on 2700K-5000K LED color

Operating Hours	0	25,000	50,000	100,000
Lumen Maintenance Factor	1.00	0.98	0.97	0.95

Notes:

- Integral transformer included.
- See individual mounting specification sheets for conduit/drilling options.
- For 120 Volt portable applications only.
- For multiple TRAS boxes the number of fixture heads and accessories will be equal to the number of boxes ordered.
- EA extending arm accessories are available with WMSA mountings only. Double EAD arms also available (consult factory).
- Add Zinc undercoat for harsh environments.

LUMEN AMBIENT TEMPERATURE (LAT) MULTIPLIERS

Use these factors to determine relative lumen output for average ambient temperatures from 0-40°C (32-104°F).

Based on 2700K-5000K LED color

Ambient	Lumen Multiplier
0°C	1.02
10°C	1.01
20°C	1.00
25°C	1.00
30°C	0.99
40°C	0.98

PERFORMANCE DATA

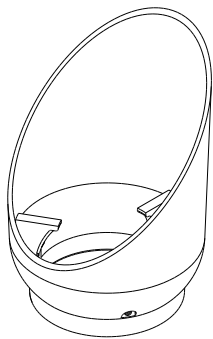
LUMEN OUTPUT

Lumen values are from photometric tests performed in accordance with IESNA LM-79-08. Data is considered to be representative of the configurations shown, within the tolerances allowed by Lighting Facts. Actual performance may differ as a result of end-user environment and application. Contact factory for performance data on any configurations not shown here.

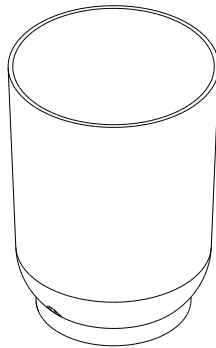
	Distribution	Nema Type	Beam Angle (50%) H x V	Field Angle (10%) H x V	Watts	LPW	Delivered Lumens
3000K 80CRI	SP	3 x 3	13.3 x 13.3	38.4 x 38.4	10	27	276
	MFL	3 x 3	21.9 x 21.9	42.1 x 42.1	10	31	332
4000K 68CRI	SP	3 x 3	13.3 x 13.3	38.4 x 38.4	10	46	459
	MFL	3 x 3	21.9 x 21.9	42.1 x 42.1	10	52	554
5000K 68CRI	SP	3 x 3	13.3 x 13.3	38.4 x 38.4	10	46	459
	MFL	3 x 3	21.9 x 21.9	42.1 x 42.1	10	52	554

OPERATING TEMPERATURE: -30°C Through 40°C

EXTERNAL ACCESSORIES



GS - Glare Shield
(may be field installed)



FGS - Full Glare Shield
(may be field installed)

SPECIFICATIONS AND FEATURES

MATERIAL: Fixture and Knuckle: Die-cast copper-free aluminum A360. All aluminum materials are chem filmed or anodized prior to painting.

LED ARRAY: 9 Watt LED. All withing 3 MacAdam ellipses.

VOLTAGE: 120 Volt

DISTRIBUTION: SP - Spot
MFL - Medium Flood

LENS: Crowned tempered glass.

MOUNTING: 1/2" NPT

FINISH: Exterior parts are protected by a zinc-infused super durable TGIC thermoset powder coat finish that provides superior resistance to corrosion and weathering. A tightly controlled multi-stage process ensures a minimum 3 mils thickness for a finish that can withstand extreme climates without cracking or peeling.

FASTENERS: Stainless steel.

LISTING: cCSAus, Wet Location, Laboratory tests conducted by CSA to UL Standards UL-1598 & UL-8750

BUY AMERICAN ACT: This product is assembled in the USA and meets the Buy America(n) government procurement requirements under FAR, DFARS and DOT regulations. Please refer to www.acuitybrands.com/resources/buy-american for additional information.

WARRANTY: 5-year limited warranty. Complete warranty terms located at: www.acuitybrands.com/support/warranty/terms-and-conditions

Consult factory for details.

NOTE: Actual performance may differ as a result of end-user environment and application. All values are design or typical values, measured under laboratory conditions at 25 °C. Specifications subject to change without notice.