



## GENUINE PARTS

### INSTALLATION INSTRUCTIONS

<b>1. DESCRIPTION:</b> Ambient light system			
<b>2. APPLICATION:</b> Q70			
<b>3. PART NUMBER:</b> B64D0-1MA0B			
<b>Installation of this accessory requires installation of additional Nissan Genuine Part(s):</b> ● Attached parts Step Lamp Lens (26421-4P000) ● QTY:2			
<b>4. KIT CONTENTS:</b>			
Item	QTY	Description	SERVICE PART NUMBER
A	1	Kicking Plate FR LH	G6952-1MA0A
B	1	Kicking Plate FR RH	G6951-1MA0A
C	1	Kicking Plate RR LH	G6954-1ME0A
D	1	Kicking Plate RR RH	G6953-1ME0A
E	1	Front Sill Light LH	B64D1-1ME0A
F	1	Front Sill Light RH	
G	1	Rear Sill Light LH	B64D1-1ME1A
H	1	Rear Sill Light RH	
I	1	Control Unit	
J	1	Harness	
K	2	Posi Tap	
L	1	Posi Tap	
M	30	Tie Wrap (short)	
N	2	Tie Wrap (long)	
O	2	Urethane Protection Tape	
P	5	Urethane Foam Tape (small)	
Q	1	Urethane Foam Tape (large)	
R	5	Aluminum Tape	
S	10	Collar	
T	10	Screw	
U	1	Installation Instructions Replacement Template	999V2-AW000
V	1	Template	
<b>5. TOOLS REQUIRED:</b>			
● Nylon removal tool	● Wire cutter	● 10mm Socket and driver	
● Center punch	● Masking tape	● Flash light	
● Scissors	● 100% alcohol	● Retractable cutter knife	
● Soft non linting towel	● Hole saw (18mm)	● Drill bits (3mm, 6mm,9mm)	
● Soap and water	● Fish tape	● Permanent ink marker	

## INSTALLATION INSTRUCTIONS - Ambient light system

### 6. PRE-INSTALLATION CAUTIONS/NOTES

#### ⚠ CAUTION

- Dealer Installation Recommended. Instructions refer to Service Manual.
- Please read this instruction carefully before installing this product for correct installation.
- Please DO NOT use or install the part in ways other than what is described in this instruction manual.
- If problem occurs during installation, please contact Nissan dealer where you purchased the product.

- 1) Apply Parking Brake.
- 2) Make sure the shift lever is engaged in "P" or "N" position.
- 3) Record customer Radio Presets.

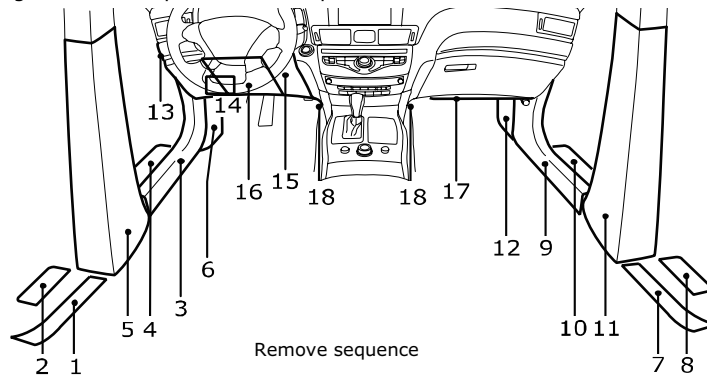
Preset	1	2	3	4	5	6
A						
B						
C						

- 4) Use seat and floor protection.
- 5) Open the hood of the vehicle.
- 6) Disconnect the negative battery terminal to prevent short circuits during installation.
- 7) This part is to be installed at a surface temperature of 65-100°F.
- 8) Do not wash the vehicle for 24 hours after installing to prevent the double-sided tape from peeling.

#### ⚠ CAUTION

- Care must be taken not to scratch or damage any components during the removal or replacement process.

- 9) Remove the following interior trim parts in the sequence shown below.

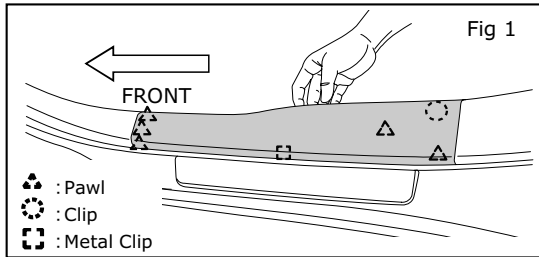


- |  |   |
|--|---|
| <ol style="list-style-type: none"> <li>1. Rear Kicking Plate Inner LH</li> <li>2. Rear Kicking Plate Outer LH</li> <li>3. Front Kicking Plate Inner LH</li> <li>4. Front Kicking Plate Outer LH</li> <li>5. Center Pillar Lower Garnish LH</li> <li>6. Dashboard Side Lower Panel LH</li> <li>7. Rear Kicking Plate Inner RH</li> <li>8. Rear Kicking Plate Outer RH</li> <li>9. Front Kicking Plate Inner RH</li> <li>10. Front Kicking Plate Outer RH</li> </ol> | <ol style="list-style-type: none"> <li>11. Center Pillar Lower Garnish RH</li> <li>12. Dashboard Side Lower Panel RH</li> <li>13. Instrument Side Finisher LH</li> <li>14. Hood Opener</li> <li>15. Instrument Driver Lower Panel</li> <li>16. Knee Protector</li> <li>17. Instrument Passenger Lower Cover</li> <li>18. Floor Carpet Clip</li> </ol> |
|--|---|

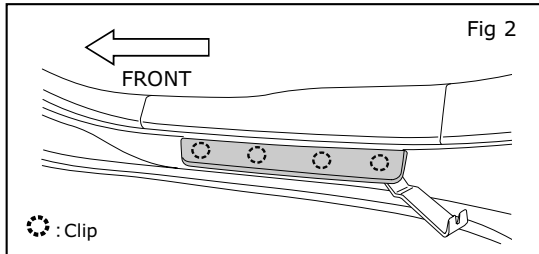


## INSTALLATION INSTRUCTIONS - Ambient light system

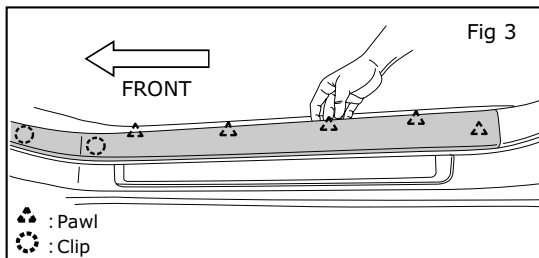
### 9. VEHICLE PARTS REMOVAL



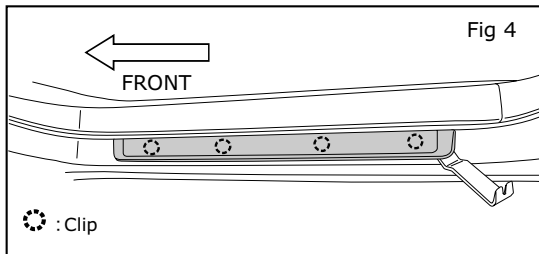
- 1) Rear Kicking Plate Inner LH removal
  - a) Pull up Rear Kicking Plate Inner, and disconnect mounting clip, pawls and metal clip.
  - b) Remove Rear Kicking Plate Inner (1), starting from rear to front side of Kicking Plate. Shown in Fig 1.



- 2) Rear Kicking Plate Outer LH removal
  - a) Detach Rear Kicking Plate Outer LH mounting clips with nylon removal tool, then remove Rear Kicking Plate Outer LH (2) Shown in Fig 2.



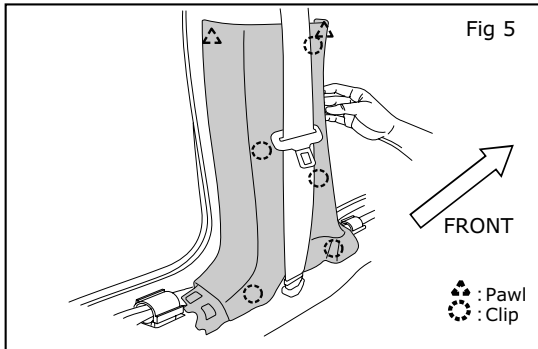
- 3) Front Kicking Plate Inner LH removal
  - a) Pull up Front Kicking Plate Inner, and disconnect pawls and clips. Shown in Fig 3.
  - b) Remove Front Kicking Plate Inner (3), starting from rear to front side of Kicking Plate.



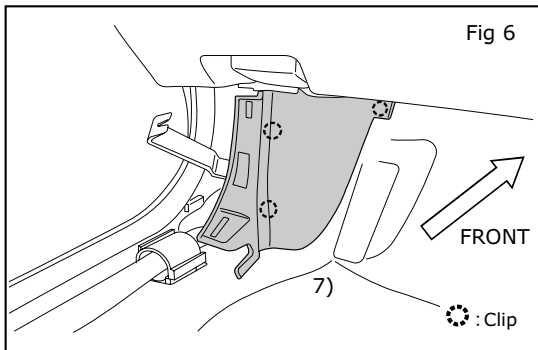
- 4) Front Kicking Plate Outer LH removal
  - a) Detach Front Kicking Plate Outer LH mounting clips with nylon removal tool, then remove Front Kicking Plate Outer LH (4) Shown in Fig 4.

## INSTALLATION INSTRUCTIONS - Ambient light system

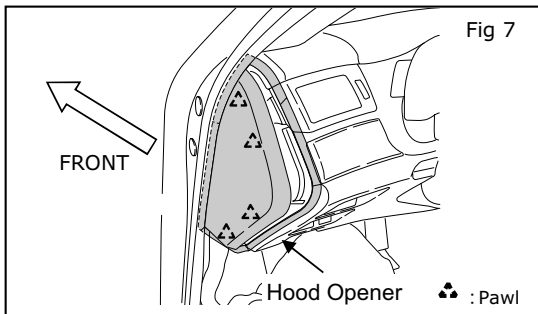
### 9. VEHICLE PARTS REMOVAL CONT'D



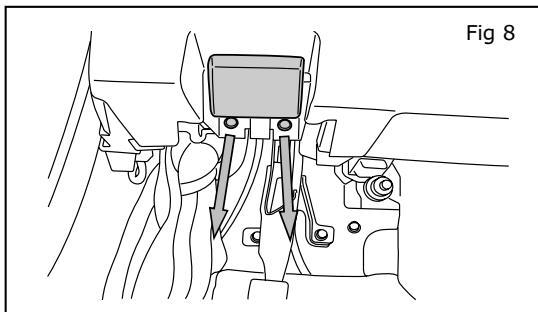
- 5) Center Piller Lower Garnish LH removal
  - a) Detach Center Piller Lower Garnish, and disconnect mounting clips and pawls. Shown in Fig 5.
  - b) Remove Center Piller Lower Garnish (5),



- 6) Dashboard Side Lower Panel LH removal
  - a) Detach Dashboard Side Lower Panel LH mounting clips with nylon removal tool, and turn it to remove.
  - b) Remove Dashboard Side Lower Panel LH (6). Shown in Fig 6.



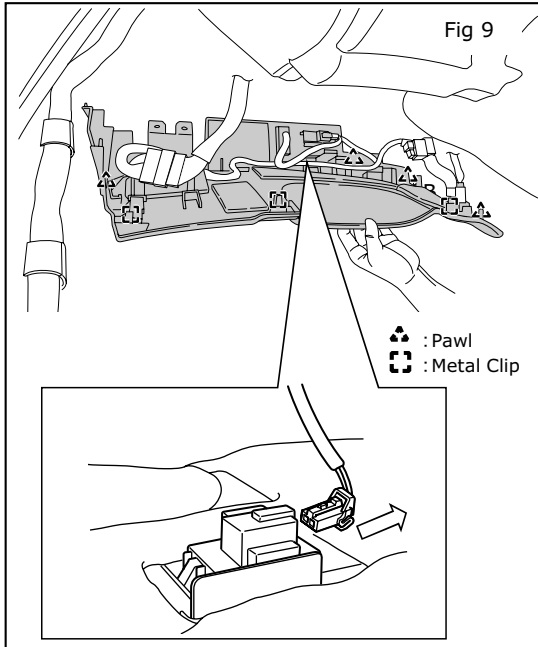
- 8) Instrument Side Finisher LH removal
  - a) Apply Masking tape to protect trim parts from scratch as shown in Fig 7
  - b) Detach Instrument Side Finisher LH mounting pawls with nylon removal tool, then remove Instrument Side Finisher LH (13). Shown in Fig 7.



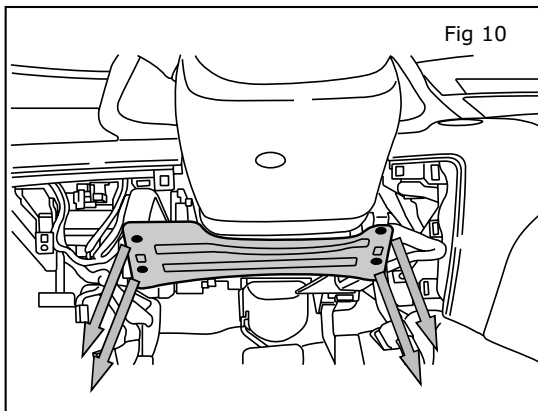
- 9) Hood Opener removal
  - a) Remove Hood Opener mounting screws with 10mm socket and driver, (2pieces) then remove Hood Opener (14). Shown in Fig 8.

## INSTALLATION INSTRUCTIONS - Ambient light system

### 9. VEHICLE PARTS REMOVAL CONT'D



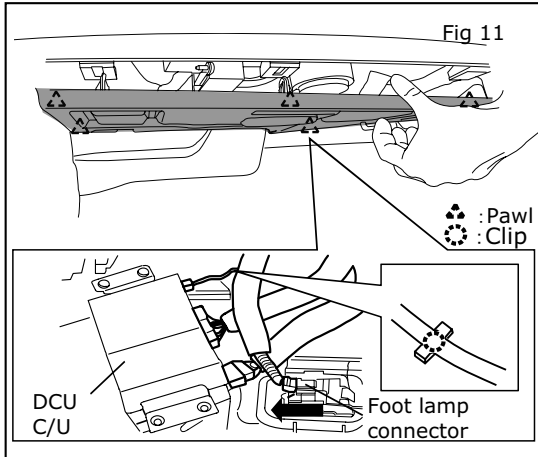
- 10) Instrument Driver Lower Panel removal
  - a) Pull down Instrument Driver Lower Panel, and disconnect pawls and metal clips. Shown in Fig 9.
  - b) Remove Instrument Driver Lower Panel (12).
  - c) Disconnect connectors and remove Instrument Driver Lower Panel. Shown in Fig 9.



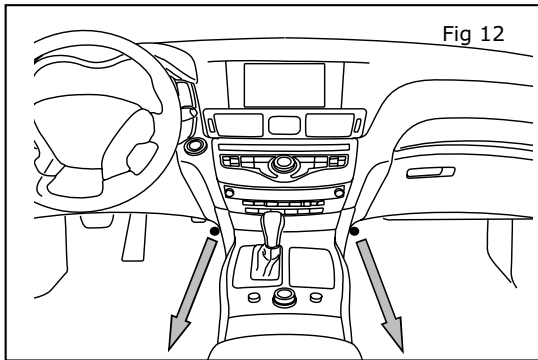
- 11) Knee Protector removal
  - a) Remove Knee Protector mounting screws with 10mm socket and driver, (4pieces) then remove Knee Protector (16). Shown in Fig 10.

## INSTALLATION INSTRUCTIONS - Ambient light system

### 9. VEHICLE PARTS REMOVAL CONT'D



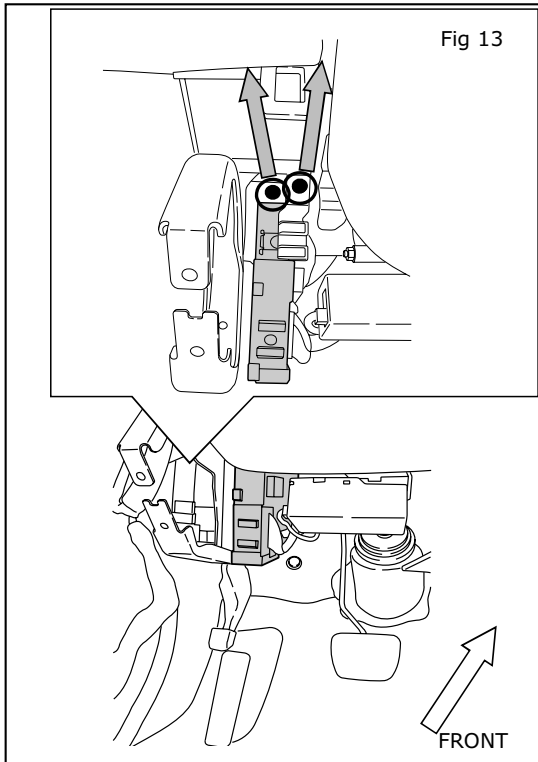
- 12) Instrument Passenger Lower Cover removal
- Pull down Instrument Passenger Lower Cover, and disconnect pawls. Shown in Fig 11. Remove Instrument Passenger Lower Cover (17),
  - Disconnect Foot lamp connector, Shown in Fig 11.



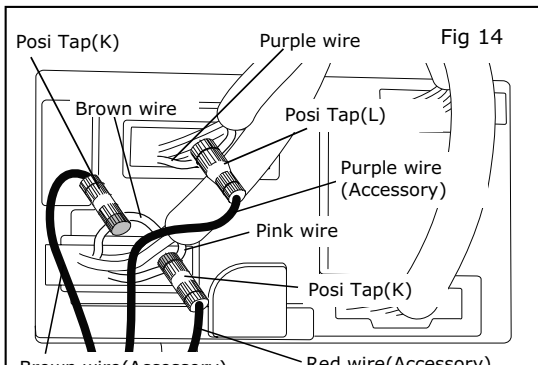
- 13) Floor Carpet Clip removal
- Remove Floor carpet mounting clips with nylon removal tool (15). (2pieces) Shown in Fig 12.

## INSTALLATION INSTRUCTIONS - Ambient light system

### 10. WIRING HARNESS INSTALLATION



- 1) At driver side (dash lower)  
Remove two screws mounting BCM with a plus screw driver tool, then lifted up and pull BCM out .  
Shown in Fig 13.



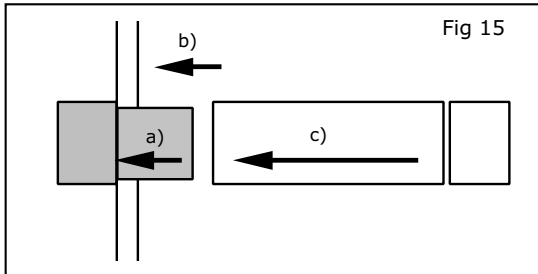
- 2) Tap Harness(J)
  - a) See steps 3~6 for wire tap installation instructions.
  - b) Tap Accessory Brown wire to Brown wire of Black BCM connector, terminal #4. Shown in Fig 14.
  - c) Tap Accessory Red wire to Pink wire of Black BCM connector, terminal #2. Shown in Fig 14.
  - d) Tap Accessory Purple wire to Purple wire of White BCM connector, terminal #15. Shown in Fig 14.

Brown wire(Accessory)					Red wire(Accessory)				
FFA09FB-FHA6					FFA09FW-FHA6				
1	2	3	4	5	1	2	3	4	5
6	7	8	9	10	6	7	8	9	10
11	12	13	14	15	11	12	13	14	15
Vehicle Harness									
Connector	Number	Circuit Number	Color	Accessory Harness(J)	Signal	Posi Tap			
FEA09FB-FHA6	2	PD33	P	R	Door(RL)	K			
	4	PD32A	BR	BR	Door(RR)	K			
FEA09FW-FHA6	15	PD16	PU	PU	Door Lock	L			



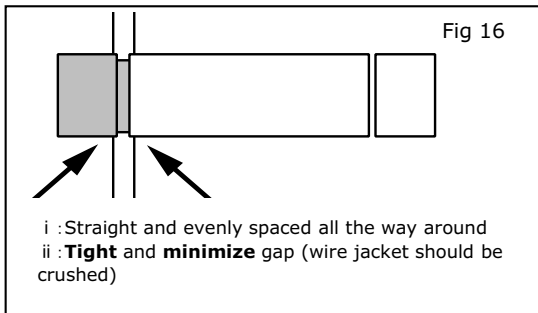
## INSTALLATION INSTRUCTIONS - Ambient light system

### 10. WIRING HARNESS INSTALLATION CONT'D



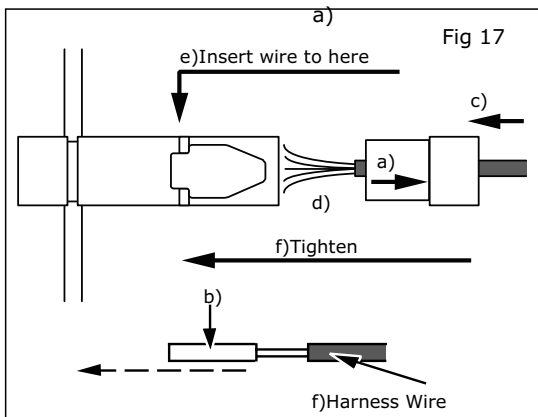
- 3) Tap vehicle wire.
  - a) Remove cap (slot side) from tap body.
  - b) Slide cap around vehicle wire.
  - c) Tighten the tap TIGHT with finger pressure.

**NOTE:**  
**DO NOT RE-USE THE TAP FOR SUBSEQUENT RE-INSTALLATION.**

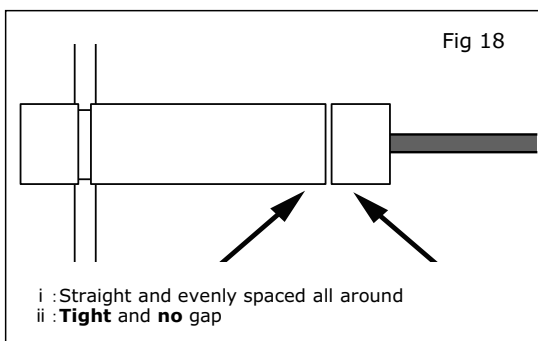


- 4) Inspect the tap to ensure correct installation.

**NOTE:**  
**AVOID PUTTING PRESSURE ON THE WIRE AND TAP FOR THE REST OF THE INSTALL.**



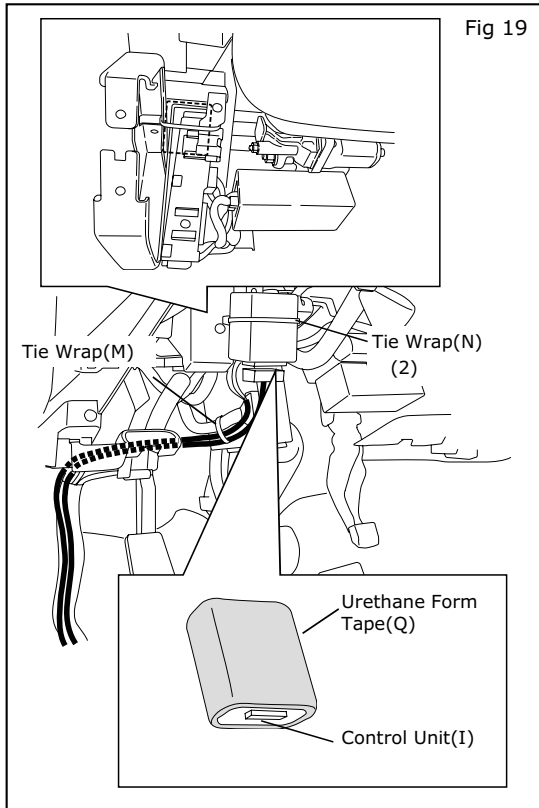
- 5) Tap the harness.
  - b) Remove protective stub from wire.
  - c) Insert wire through the non-pierce side opening.
  - d) Spread the individual strands into a fan shape.
  - e) Insert wire into tap body and ensure it is all the way in.
  - f) Tighten the tap TIGHT with finger pressure.



- 6) Confirm installation of the tapped accessory wire.
  - a) Inspect the tap to ensure correct installation.
  - b) Test the signal to ensure it is working properly.
- 7) Install BCM to original position.
  - a) Install two screws to BCM mounting bracket.

## INSTALLATION INSTRUCTIONS - Ambient light system

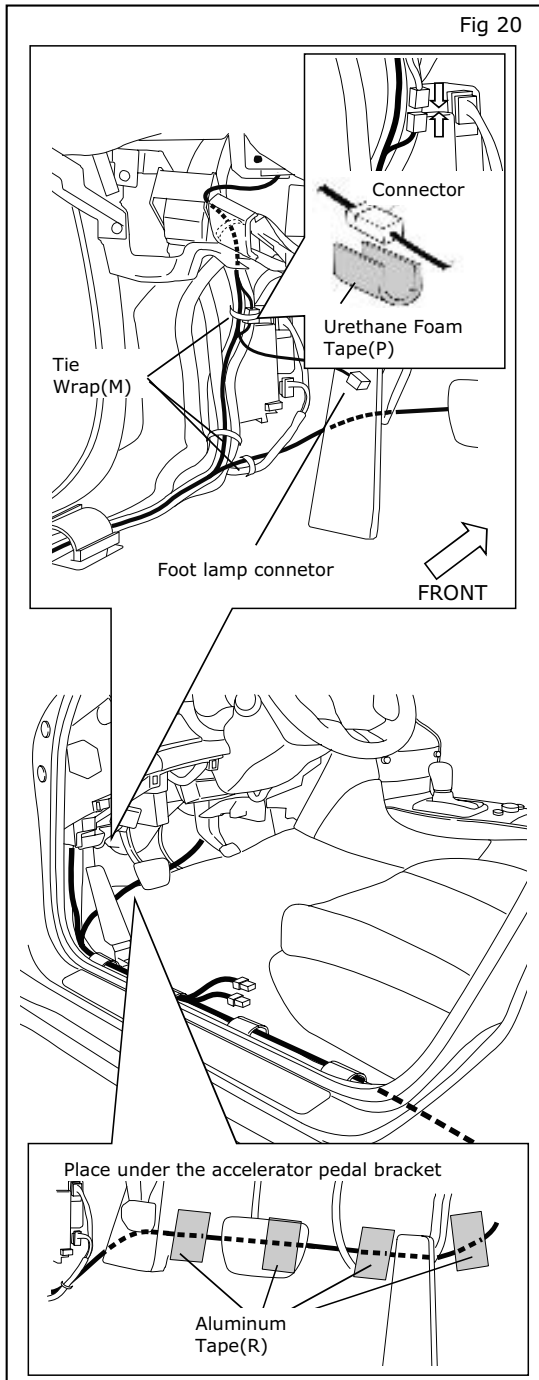
### 10. WIRING HARNESS INSTALLATION CONT'D



- 8) At driver side (dash lower) Wrap the Control Unit(I) with Urethane Form Tape(Q).  
Shown in Fig 19.
- 9) Attach the Control Unit (I) at the position shown in Fig 19, using the Tie Wrap (N).(2pieces)
- 10) Attach the Harness (J) to vehicle harness at the position shown in Fig 19, using the Tie Wrap (M).(1piece)

## INSTALLATION INSTRUCTIONS - Ambient light system

### 10. WIRING HARNESS INSTALLATION CONT'D



11) Attach the Harness (J) to vehicle harness at the position shown in Fig 20, using the Tie Wrap (M).(3pieces)

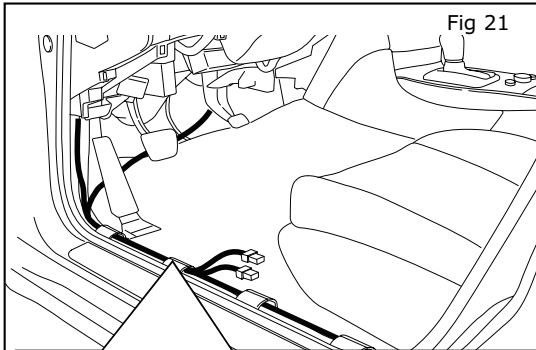
12) Fold one piece Urethane Foam Tape (P) and cut into two equal pieces.

13) Connect the connectors and apply the cut piece of the Urethane Foam Tape (P) on the connecting section, Shown in fig 20.

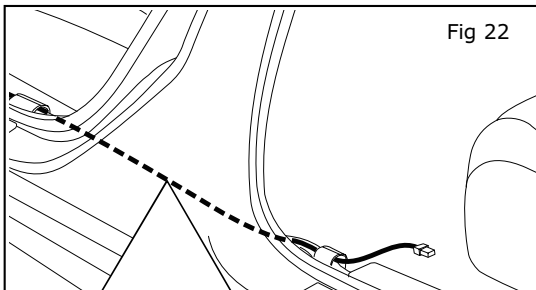
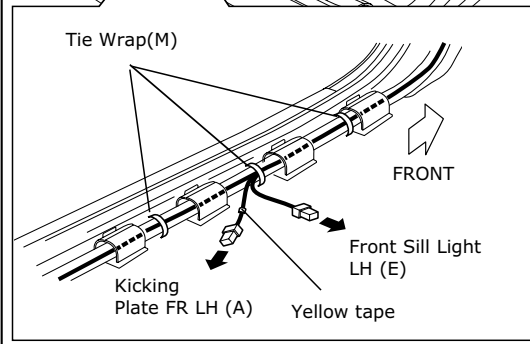
14) Flip the carpet of the driver's side, route Harness(J) under accelerator pedal bracket, and attach Harness(J) to floor using Alminum Tape (R), Shown in Fig 20. (4 places)

## INSTALLATION INSTRUCTIONS - Ambient light system

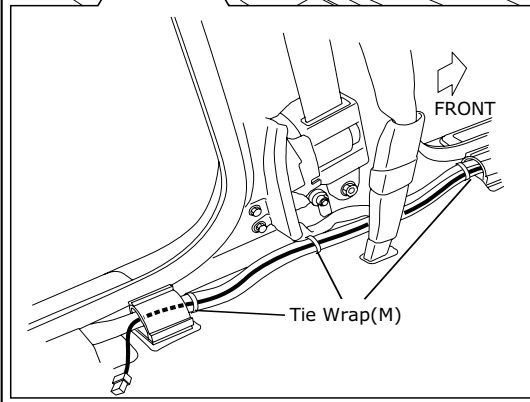
### 10. WIRING HARNESS INSTALLATION CONT'D



- 15) Route Harness (J) through vehicle harness Protector to rear door, at the position shown in Fig 21. Attach the Harness (J) to vehicle harness at the position shown in Fig 21, using the Tie Wrap (M).(3pieces)

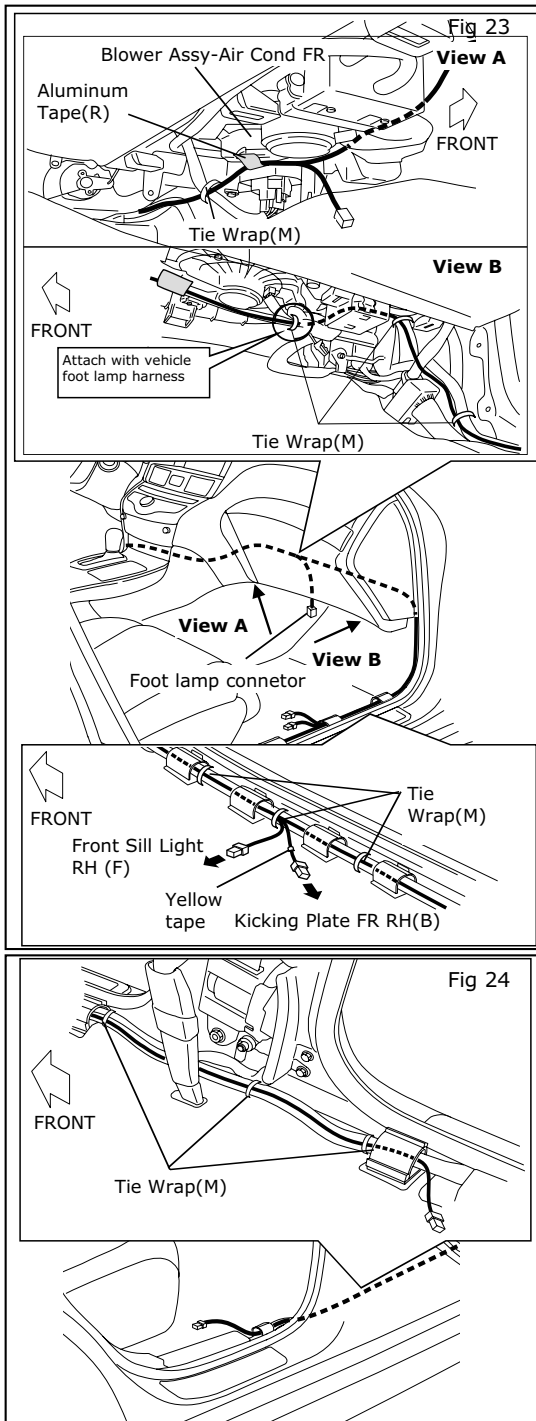


- 16) Attach the Harness (J) to vehicle harness at the position shown in Fig 22, using the Tie Wrap (M).(3pieces)



## INSTALLATION INSTRUCTIONS - Ambient light system

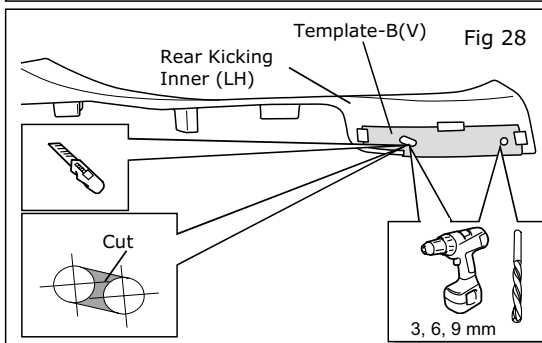
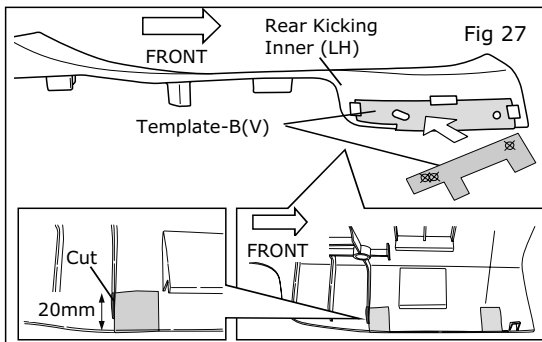
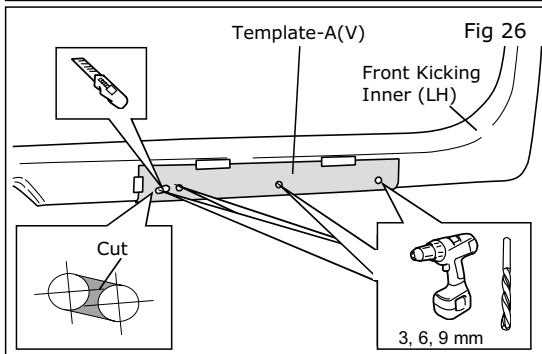
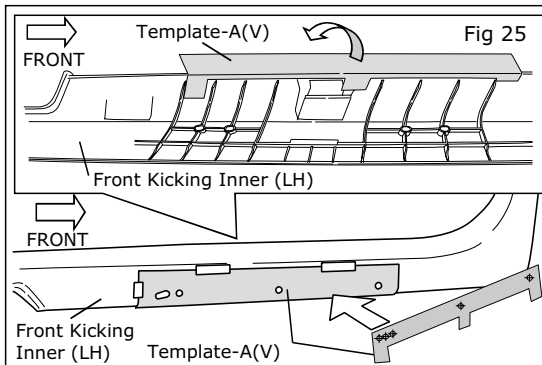
### 10. WIRING HARNESS INSTALLATION CONT'D



- 17) Flip the carpet of passenger side.
- 18) Route fish tape behind center console from driver's side Harness(J) to passenger side.
- 19) Pull Harness(J) with fish tape behind center console.
- 20) Attach the Harness(J) at the position shown in Fig 23, using the Tie Wrap (M). (1piece)
- 21) Place Aluminum Tape(R) on under Blower Assy-Air Cond FR shown in Fig 23. (1place)
- 22) Attach the Harness(J) at the position shown in Fig 23, using the Tie Wrap (M). (3piece)
- 23) Route Harness(J) through vehicle harness protector to rear door, at the position shown in Fig 23. Attach the Harness(J) to vehicle harness at the position shown in Fig 23, using the Tie Wrap (M).(3pieces)
- 24) Attach the Harness(J) to vehicle harness at the position shown in Fig 24, using the Tie Wrap (M).(3pieces)
- 25) Function Check
  - Re-connect battery negative terminal to proper torque, and all doors are opened.
  - a) Front Kick Plate, Front Sill Light, and Rear Sill Light are turn ON.
  - b) Dis-connect battery terminal after function check is completed.

# INSTALLATION INSTRUCTIONS - Ambient light system

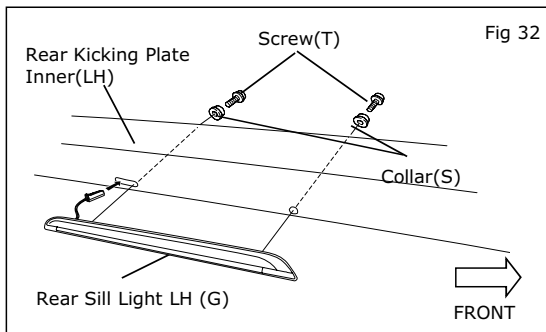
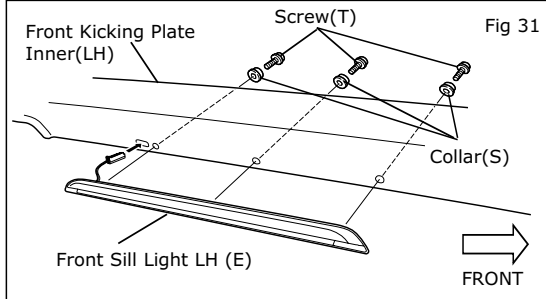
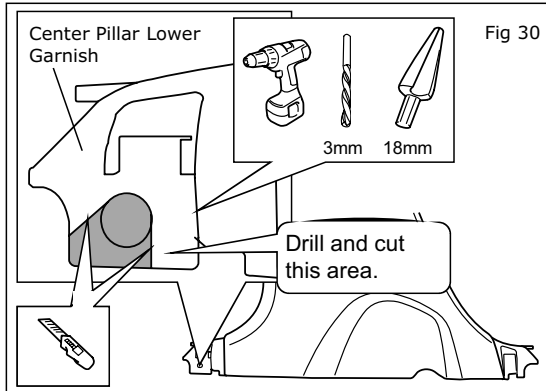
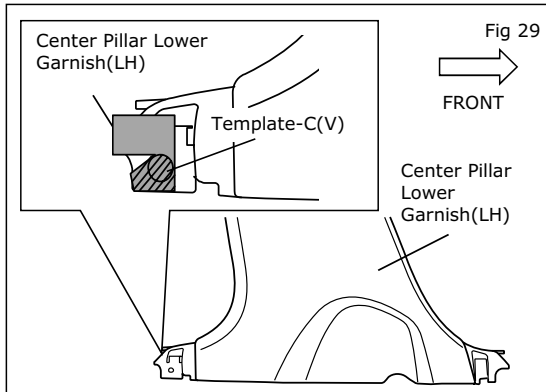
## 11. INSTALLATION SILL LIGHTS



- 1) Front Kicking Inner
  - a) Align Template-A(V) to the Front Kicking Inner and apply masking tape to hold the Template-A(V). Shown in Fig 25
  - b) Mark the hole position (+) for center punch. Shown in Fig 26.
  - c) Slowly remove masking tape and Template-A(V).
  - d) Drill 3mm → 6mm → 9mm holes at the marked locations vertically on the Front Kicking Inner. Cut through two holes to make a slot. Shown in Fig 26.
  
- 2) Rear Kicking Inner
  - a) Align Template-B(V) to the Rear Kicking Inner and apply masking tape to hold the Template-B(V). Shown in Fig 27.
  - b) Mark the hole position (+) for center punch. Cut rib as shown in Fig 27.
  - c) Slowly remove masking tape and Template-B(V).
  - d) Drill 3mm → 6mm → 9mm holes at the marked locations vertically on the Rear Kicking Inner. Cut through two holes to make a slot. Shown in Fig 28.

## INSTALLATION INSTRUCTIONS - Ambient light system

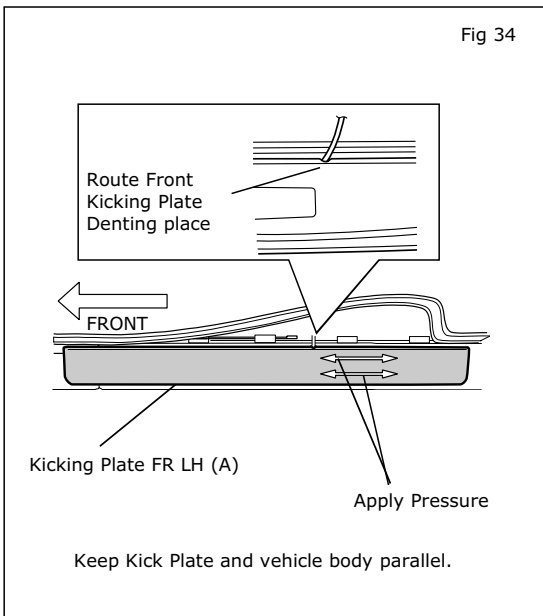
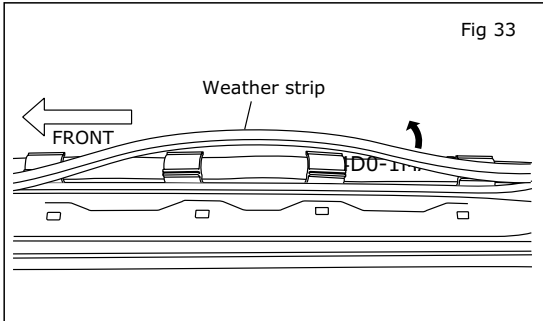
### 11. INSTALATION SILL LIGHTS CONT'D



- 3) Center Pillar Lower Garnish LH
  - a) Align Template-C(V) to the Center Pillar Lower Garnish and apply masking tape to hold the Template-C(V). Shown in Fig 29.
  - b) Mark the hole position (+) with center punch, and cutting line on Template with permanent marker.
  - c) Slowly remove masking tape and Template-C(V) .
  - d) Drill 3mm to 18mm hole and cut-off the excess trim with knife. Shown in Fig 30.
  
- 4) Attach Front Sill Light
  - a) Secure the Front Sill Light with Screws(T) and Collars(S) to the Front Kicking Plate Inner LH. Shown in Fig 31.
  
- 5) Attach Rear Sill Light
  - a) Secure the Rear Sill Light with Screws(T) and Collars(S) to the Rear Kicking Plate Inner LH. Shown in Fig 32.
  
- 6) Repeat steps 1)-5) for RH side of Vehicle

## INSTALLATION INSTRUCTIONS - Ambient light system

- 12. FRONT KICK PLATE INSTALLATION** The procedure below shows the installation for LH side.  
Repeat procedure for RH side.



- 1) Remove the vehicle weather strip near the Kick Plate (A) attachment location shown in Fig 33.
- 2) Clean area with 100% alcohol and let dry for 30 seconds.
- 3) Pull the adhesive tape liner.
- 4) Align clips on part to first, and fourth hole on vehicle from front side.
- 5) Set part on vehicle, being careful to keep the outside edge of the part parallel to the rocker panel.
- 6) Apply minimum 15lb(49N) of pressure along the part to attach tape to body shown in Fig 34.

### **CAUTION**

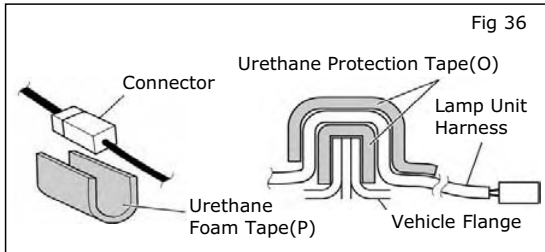
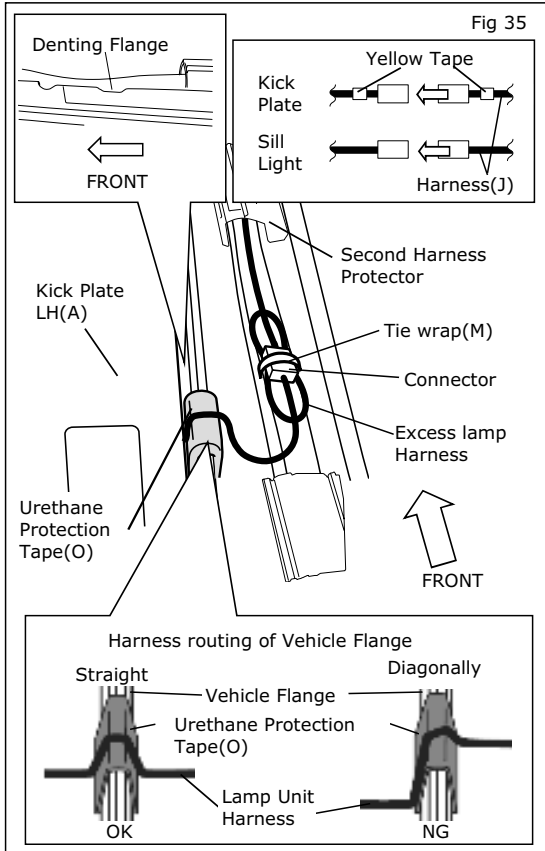
- Use caution when applying pressure as the surface may dent.
- During installation, be careful not to allow the harness to get stuck between the vehicle and the kick plate.
- Harness should be routed through the notched area of the kick plate.



## INSTALLATION INSTRUCTIONS - Ambient light system

### 13. HARNESS CONNECTION INSTALLATION

The procedure below shows the installation for LH side.  
Repeat procedure for RH side.



- 1) Fold one piece Urethane Protection Tape (O) and cut into two equal pieces.
- 2) Clean both sides of the attachment area for the Urethane Protection Tape (O) with the 100% alcohol. Let dry for 30 seconds. Shown in Fig 35.
- 3) Attach the cut piece of Urethane Protection Tape (O) to vehicle denting flange shown in Fig 35.
- 4) Place the lamp harness on top of the Urethane Protection Tape (O), then apply second half of the Urethane Protection Tape (O) on top of the harness.
- 5) Fold one piece Urethane Foam Tape (P) and cut into two equal pieces.
- 6) Connect the connectors and apply cut piece of the Urethane Form Tape (P) on the connecting section. Shown in Fig 36.
- 7) Attach excess lamp harness to the vehicle harness with a Tie Wrap (M) shown in Fig 35.
- 8) Cut excess Tie Wrap.

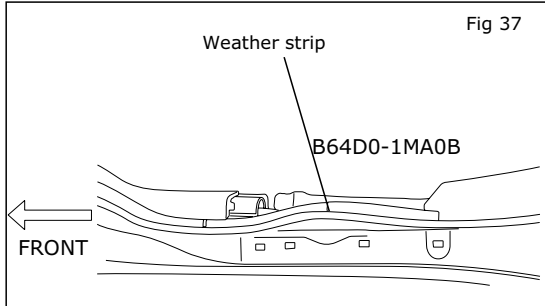
### ⚠ CAUTION

- Do not attach the harness to sharp metal edge.

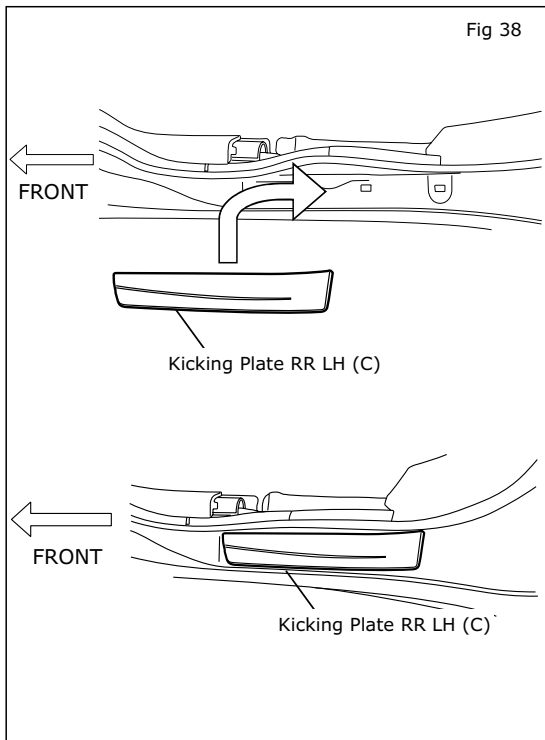
## INSTALLATION INSTRUCTIONS - Ambient light system

### 14. REAR KICK PLATE INSTALLATION

The procedure below shows the installation for LH side.  
Repeat procedure for RH side.



- 1) Remove the vehicle weather strip near the Kick Plate (C) attachment location shown in Fig 37.



- 2) Align 4 clips on part with the 4 vehicle holes.
- 3) Press down of part to engage the 4 clips. Shown in Fig 38.

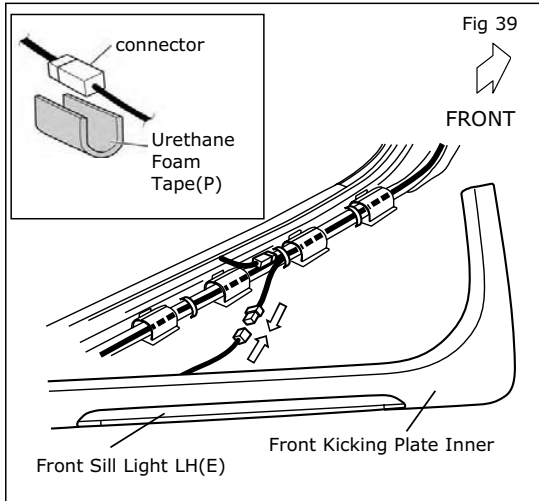
### CAUTION

- Use caution when applying pressure as the surface may dent.

## INSTALLATION INSTRUCTIONS - Ambient light system

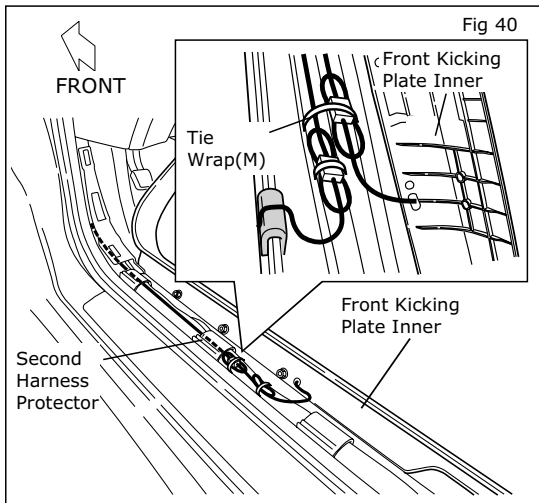
### 15. ATTACH FRONT KICKING PLATE INNER

The procedure below shows the installation for LH side.  
Repeat procedure for RH side.



1) Fold one piece Urethane Foam Tape (P) and cut into two equal pieces.

2) Connect the Accessory Harness (J) to Front Sill Light harness connectors and apply cut piece of the Urethane Foam Tape (P) on the connecting section Shown in fig 39.



3) Attach excess lamp harness to the Front Sill Light and Front Sill Light connector on Vehicle harness with a Tie Wrap (M) shown in Fig 40.

4) Cut excess tie wrap.

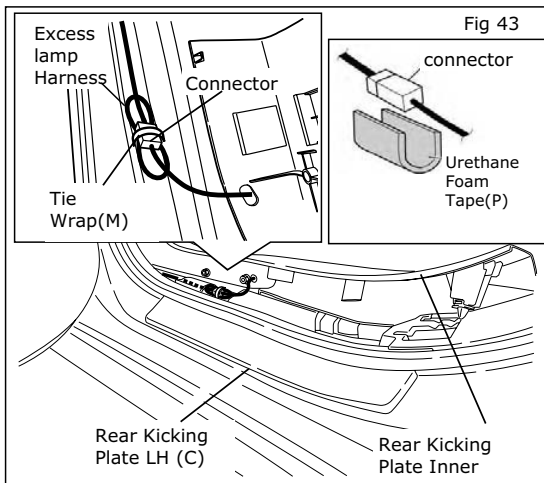
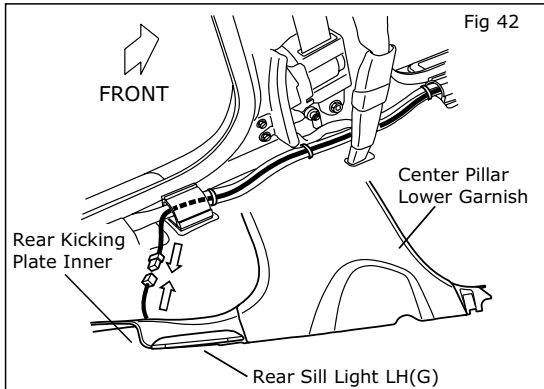
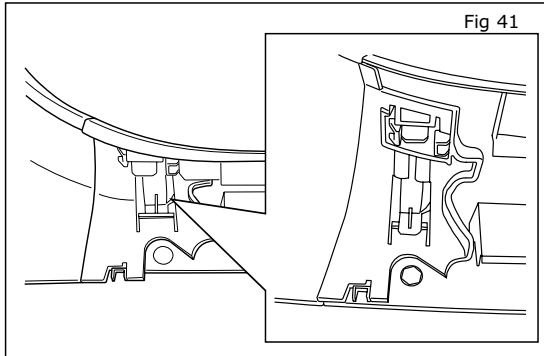
### CAUTION

- Do not attach the harness to sharp metal edge.

## INSTALLATION INSTRUCTIONS - Ambient light system

### 16. ATTACH REAR KICKING PLATE INNER

The procedure below shows the installation for LH side. Repeat procedure for RH side.



1) Assemble Center Pillar Lower Garnish and Rear Kicking Plate Inner. Shown in Fig 41.

2) Fold one piece Urethane Foam Tape (P) and cut into two equal pieces.

3) Connect the Accessory Harness (J) to Rear Sill Light harness connectors and apply cut piece of the Urethane Foam Tape (P) on the connecting section. Shown in Fig 42.

4) Attach excess lamp harness to the Front Sill Light and Rear Sill Light connector on Vehicle harness with a Tie Wrap (M). Shown in Fig 43. (1 piece)

5) Cut excess tie wrap.

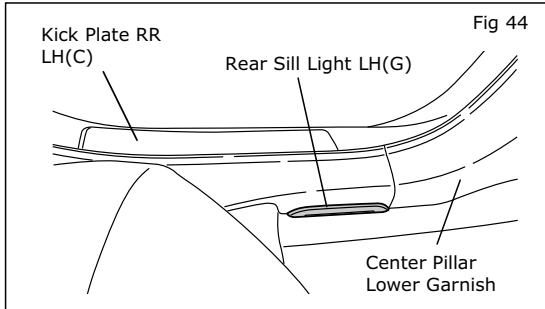
### ⚠ CAUTION

- Do not attach the harness to sharp metal edge.

## INSTALLATION INSTRUCTIONS - Ambient light system

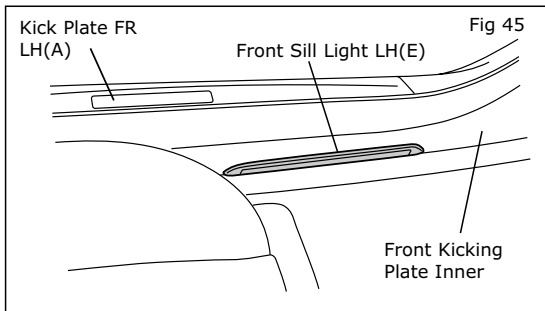
### 17. ATTACH KICKING PLATE INNER

The procedure below shows the installation for LH side.  
Repeat procedure for RH side.



1) Align Side Lower Panel LH

2) Align Center Pillar Lower Garnish and Rear Kicking Plate Inner assembled, to original position. Shown in Fig 44.



3) Align Front Kicking Plate Inner to original position. Shown in Fig 45.

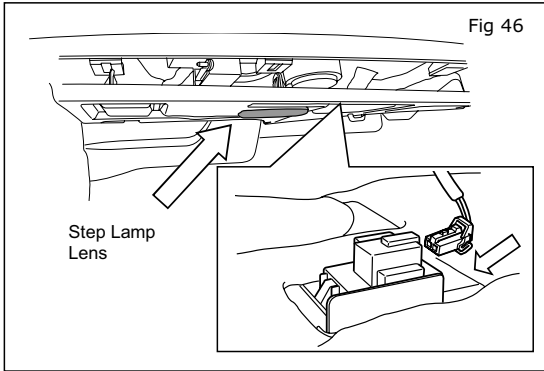
### CAUTION

- Do not attach the harness to sharp metal edge.

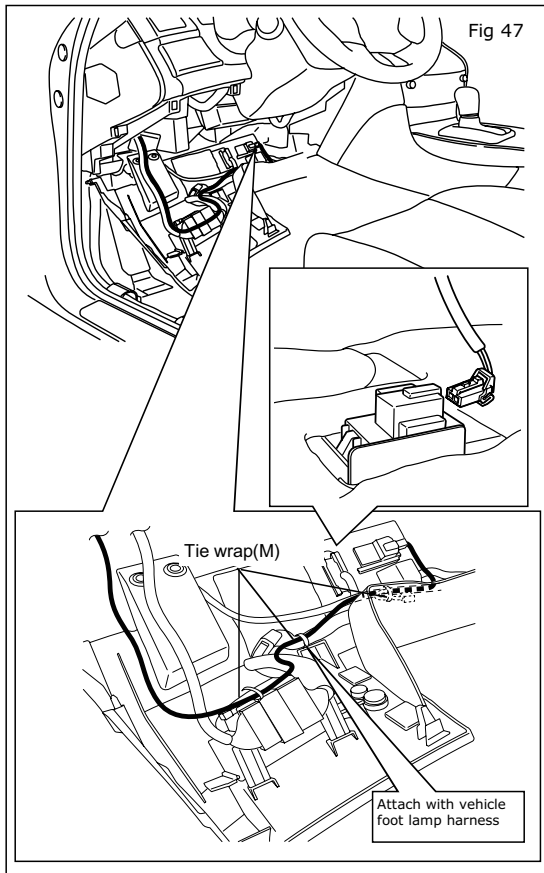
## INSTALLATION INSTRUCTIONS - Ambient light system

### 18. HARNESS CONNECTION INSTALLATION

The procedure below shows the installation for LH side.  
Repeat procedure for RH side.



- 1) Replace factory Step Lamp Lens with Step Lamp Lens, (part number: 26421-4P000) on the Passenger Lower Cover. Shown in Fig 46.
- 2) Attach Accessory Harness (J), connect foot lamp to Accessory Harness as Shown in Fig 46.



- 3) Replace factory Step Lamp Lens with Step Lamp Lens, (part number: 26421-4P000) on the Instrument Driver Lower Panel. Shown in Fig 47.
- 4) Attach Accessory Harness (J), connect foot lamp to Accessory Harness as Shown in Fig 47.
- 5) Attach Accessory Harness (J), using Tie Wrap (M) Show in Fig 47. (3pieces)

### CAUTION

- Do not attach the harness to sharp metal edge.

## INSTALLATION INSTRUCTIONS - Ambient light system

### 19. CHECK AFTER INSTALLATION

- 1) Please check that the installation has no problem.
- a) confirm connection of connector
  - b) confirm whether wire harness is fixed.

### 20. FUNCTION CHECK

- 1) Re-connect battery neq B64D0-1MA0B
- 2) All doors are closed, and the door is locked with the remote control key.
- 3) The door is unlocked with the remote control key, and each door is opened.
  - a) Front Kick Plate (LH), Front Sill Light (LH), and Foot Lamp (LH) light sequentially when the driver's seat door is opened.
  - b) Front Kick Plate (RH), Front Sill Light (RH), and Foot Lamp (RH) light sequentially when the passenger's seat door is opened.
  - c) Rear Sill Light (LH and RH) lights at the same time when the rear seat door(LH or RH) is opened.

### CAUTION

- The above-mentioned lighting mode is done by seeing when each door was opened first after the door is unlocked. It lights at the same time from the second times.

- 4) Front Sill Light and Foot Lamp will be turn off in about 15 seconds after front door is closed.
- 5) Rear Sill Light and will be turn off in about 15 seconds after rear door is closed.
- 6) When the Ignition is turned ON, each lamp is turned OFF.
- 7) When the Clearance Lamp is turned ON, Front Sill Light, Rear Sill Light, and Foot Lamp turned on in dim.
- 8) When the Ignition is turned OFF. Front Sill Light, Rear Sill Light, and Foot Lamp turn on in dim.
- 9) All doors are closed, and the door is locked with the remote control key. Each lamp is turned OFF.

### 21. REINSTALLATION OF REMOVED PARTS

- 1) All removed vehicle parts have been reinstalled.

### CAUTION

- Use caution when re-installing interior components to avoid damage, scratch, or breaking of mounting clips.

- 2) Clean interior of vehicle.

## INSTALLATION INSTRUCTIONS - Ambient light system

### 22. VEHICLE CHECK

- 1) Remove all tools from the vehicle.
- 2) Inspect reinstalled interior trim parts for proper panel fit.
- 3) Reset radio presets to the recorded setting.
- 4) Turn ignition to ON position.
- 5) Confirm proper radio operation.
- 6) Initialize sun roof, and power window operation.
- 7) Confirm proper operation B64D0-1MA0B
- 8) Turn ignition to OFF position.

### CAUTION

- During restoring, please use caution so as not to cause the stacking of the vehicle's harness, or damage any other parts.