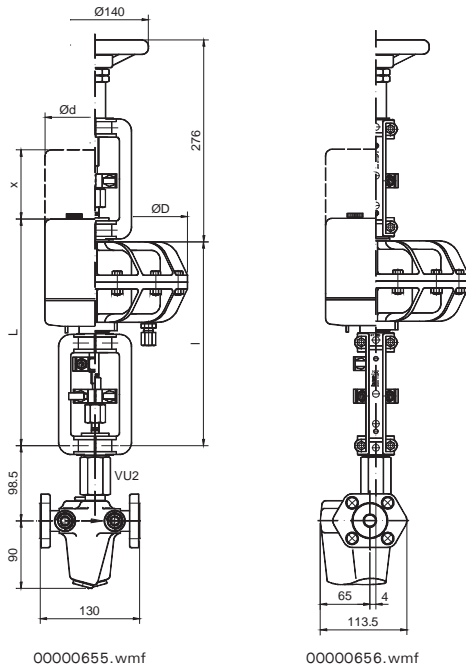


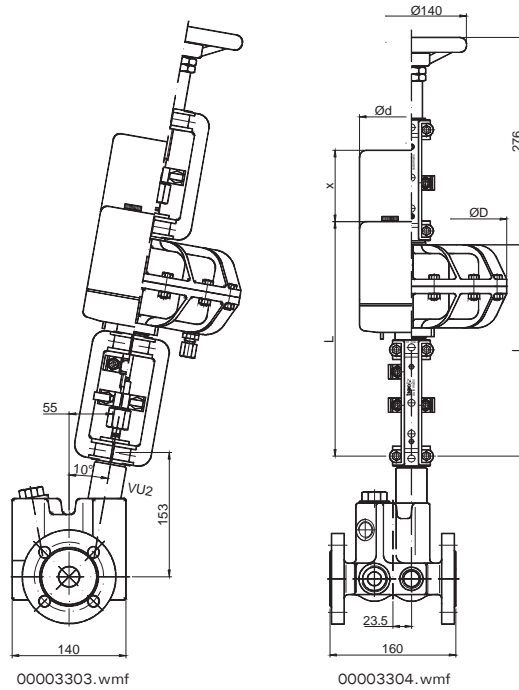
Bälz-electrodyn - control valves and control actuators

26. Dimensions

baelz 185 DN 15

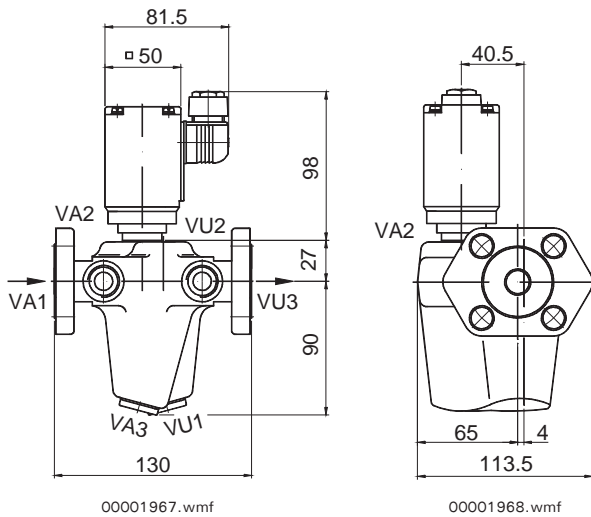


baelz 185 DN 25



Actuator baelz 373...	L	x	Ø d	l	Ø D
	mm				
E 02	293	90	129		
E 06	296	130	129		
E 07	317	145	129		
E 11	499	180	183		
E 40	391	185	184		
P 21				268	242
P 21 V6				304	242
P22				322	242

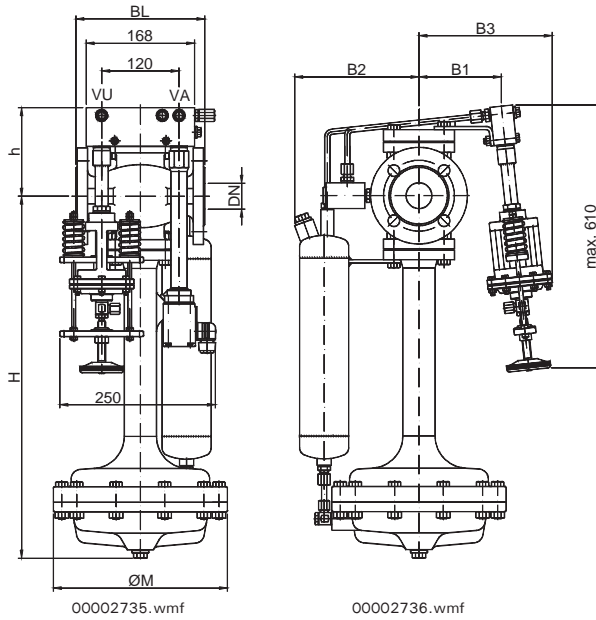
baelz 185-266st DN 15



Rights reserved to make technical changes

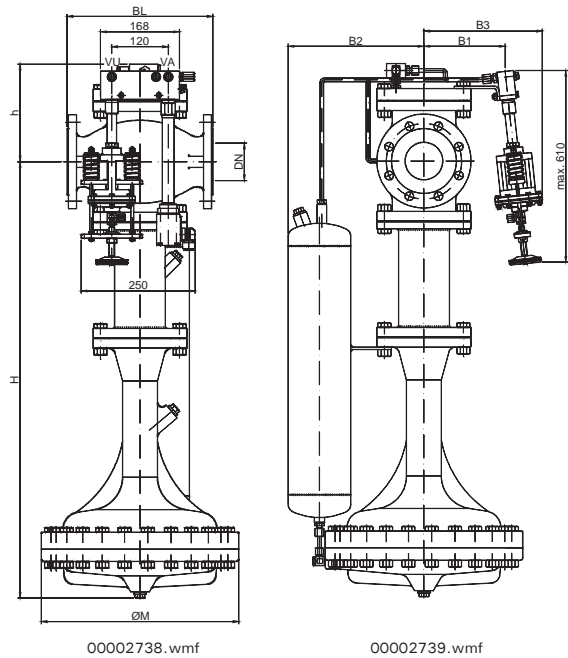
Bälz-electrodyn - control valves and control actuators

baelz 192 DN 15 - 65



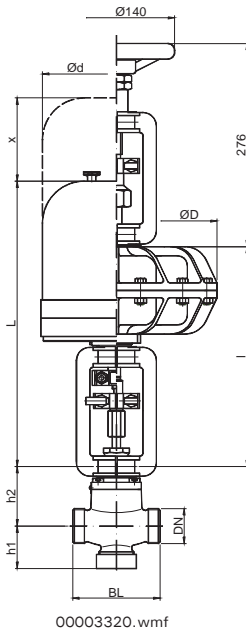
DN	BL	H PN 16/40	h PN 16/40	B1	B2 PN 16	B2 PN 40	B3	Ø M
mm								
15	130	560	110	80	185	185	180	270
20	150	560	110	85	185	185	185	270
25	160	570	110	90	185	185	190	270
32	180	565	145	125	185	185	225	270
40	200	565	145	125	185	185	225	270
50	230	580	160	125	185	185	225	270
65	290	595	180	140	185	215	240	270

baelz 192 DN 80 - 150

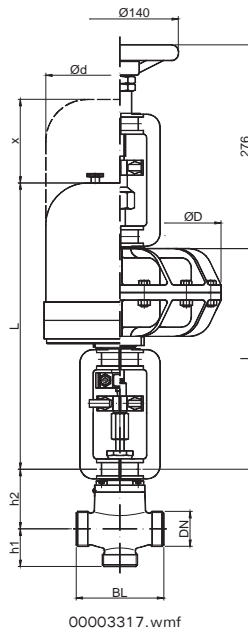


DN	BL	H PN 16/40	h PN 16/40	B1	B2	B3	Ø M
mm							
80	310	930	210	175	290	270	420
100	350	950	235	190	290	285	420
125	400	930	255	210	290	305	420
150	480	945	265	225	290	320	420

baelz 334 DN ½ - 1½



baelz 335 DN ½ - 1½



DN	BL	h 1	h 1	h 2	
		334	335		
mm					
½"	15	92	38	33	72
¾"	20	95	45	40	72
1"	25	105	50	45	72
1 ¼"	32	105	58	53	72
1 ½"	40	114	62	57	72

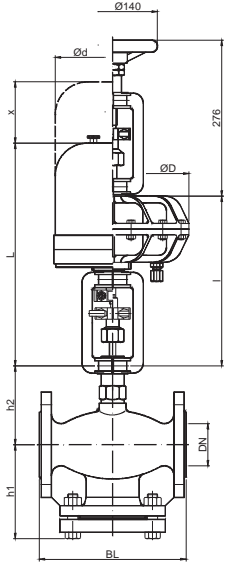
Actuator baelz 373...	L	x	Ø d	l	Ø D
	mm				
E 02	293	90	129		
E 06	296	130	129		
E 07	317	145	129		
E 11	499	180	183		
E 40	391	185	184		
P 21				268	242
P 21 V6				304	242
P22				322	242

Rights reserved to make technical changes

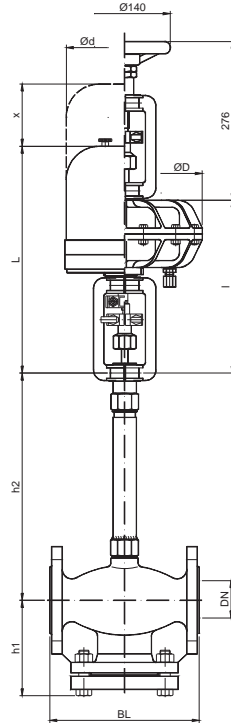
Bälz-electrodyn - control valves and control actuators

baelz 340-BK DN 15 - 125
baelz 340-BK-SS DN 15 - 125

baelz 340-B DN 15 - 125
baelz 340-ES DN 15 - 125
baelz 340-B-EM DN 50 - 125



00000300.wmf



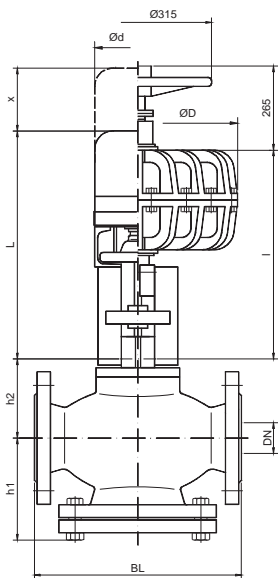
00000303.wmf

DN	BL	h 1	h 2 340-B / -ES / -B-EM	h 2 340-BK / -BK-SS
mm				
15	130	101	105	231
20	150	103	105	231
25	160	113	105	231
32	180	130	104	283
40	200	135	114	281
50	230	147	124	277
65	290	159	144	269
80	310	166	154	269
100	350	189	169	262
125	400	243	189	252

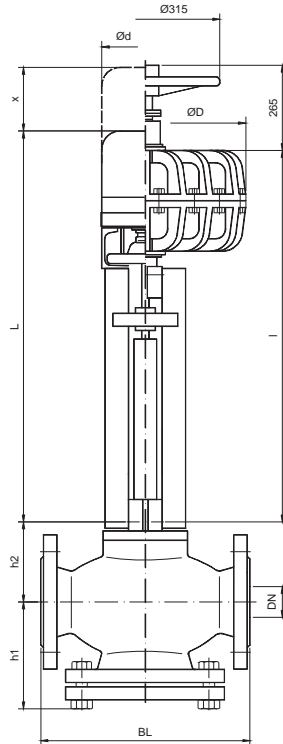
Actuator baelz 373...	L	x	Ø d	l	Ø D
	mm				
E 02	293	90	129		
E 06	296	130	129		
E 07	317	145	129		
E 11	499	180	183		
E 40	391	185	184		
P 21				268	242
P 21 V6				304	242
P22				322	242

baelz 340-BBK DN 150 - 300
baelz 340-BBK-SS DN 150-300

**baelz 340-BB
 DN 150 - 300**
**baelz 340-BB-EM
 DN 150 - 300**



00000373.wmf



00000376.wmf

DN	BL	h 1 PN 16	h 1 PN 25	h 1 PN 40	h 2 340-BB / -BB-EM	h 2 340-BBK / -BBK-SS
mm						
150	480	269	277	277	244	234
200	600	272	280	288	268	258
250	730	314	322	332	317	307
300	850	327	335	345	361	351

Actuator baelz 373...	L	L	x	Ø d	l	l	Ø D
	mm						
E 40	577	1057	185	184			
E 60	601	1081	185	184			
P 31					509	989	384
P 32					525	1005	384
P 41					562	1042	506
P 41 V6					687	1167	506

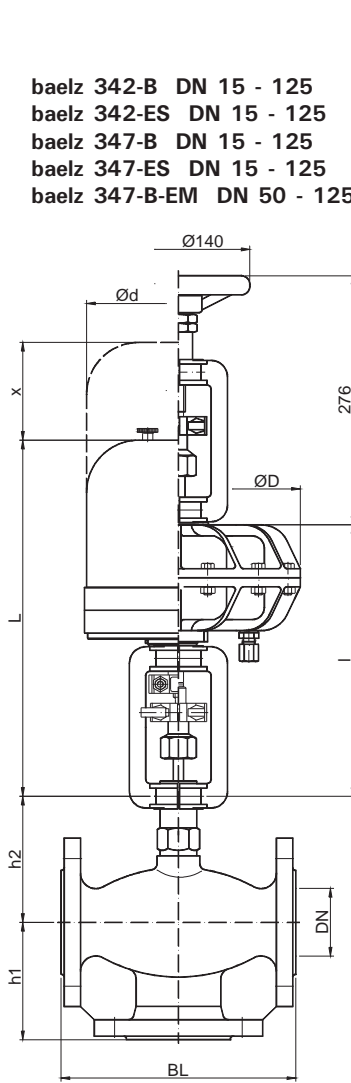
Rights reserved to make technical changes

Bälz-electrodyn - control valves and control actuators

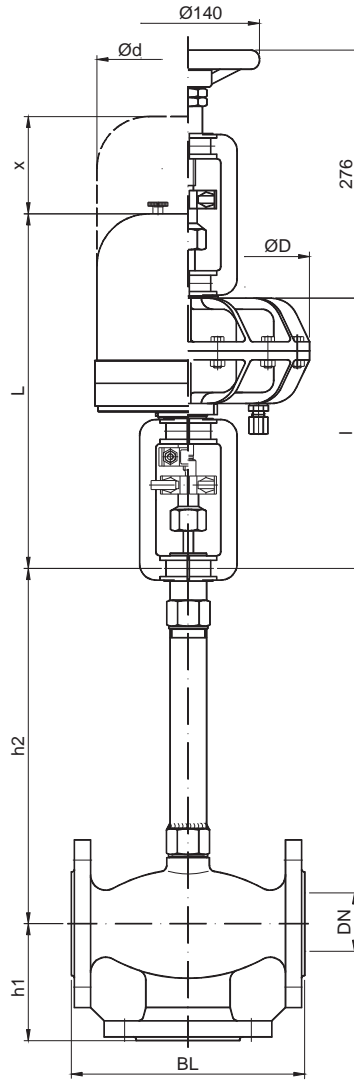
baelz 342-BK DN 15 - 125
 baelz 342-BK-SS DN 15 - 125
 baelz 347-BK DN 15 - 125
 baelz 347-BK-SS DN 15 - 125

baelz 342-B DN 15 - 125
 baelz 342-ES DN 15 - 125
 baelz 347-B DN 15 - 125
 baelz 347-ES DN 15 - 125
 baelz 347-B-EM DN 50 - 125

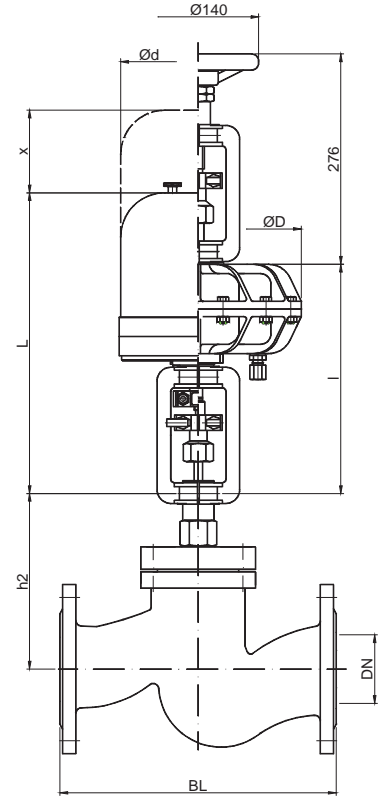
baelz 344-VA DN 32 - 125
 baelz 344-EM-VA DN 50 - 125



00000028.wmf



00000025.wmf



00000443.wmf

DN	BL	h 1	h 2 342-B / -ES 347-B / -ES / -B-EM	h 2 342-BK / -BK-SS 347-BK / -BK-SS	h 2* 344-VA / -EM-VA
mm					
15	130	75	105	231	
20	150	75	105	231	
25	160	85	105	231	
32	180	100	104	283	145
40	200	105	114	281	155
50	230	115	124	277	174
65	290	125	144	269	184
80	310	130	154	269	189
100	350	150	169	262	208
125	400	200	189	252	227

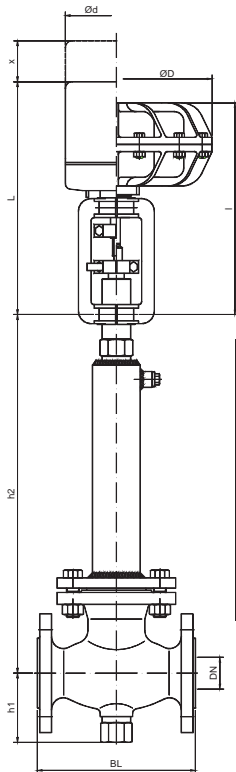
Actuator baelz 373...	L	x	Ø d	l	Ø D
mm					
E 02	293	90	129		
E 06	296	130	129		
E 07	317	145	129		
E 11	499	180	183		
E 40	391	185	184		
P 21				268	242
P 21 V6				304	242
P22				322	242

*reserved to change dimensions

Rights reserved to make technical changes

Bälz-electrodyn - control valves and control actuators

baelz 346-EMB DN 40 - 125



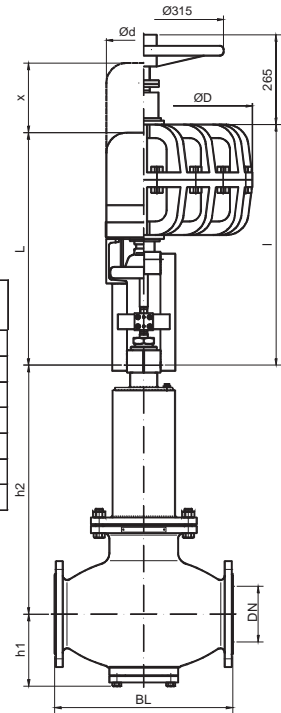
00001648.wmf

DN	BL	h 1	h 2 PN 16/25	h 2 PN 40
mm				
40	200	88	388	454
50	230	98	395	475
65	290	118	397	485
80	310	128	415	430
100	350	143	398	445
125	400	163	407	434
150	480	194	670	699

Actuator baelz 373...	L	x	Ø d	l	Ø D
	mm				
E 02	293	90	129		
E 06	296	130	129		
E 07	317	145	129		
E 11	499	180	183		
E 40	391	185	184		
P 21				268	242
P 21 V6				304	242
P 22				322	242

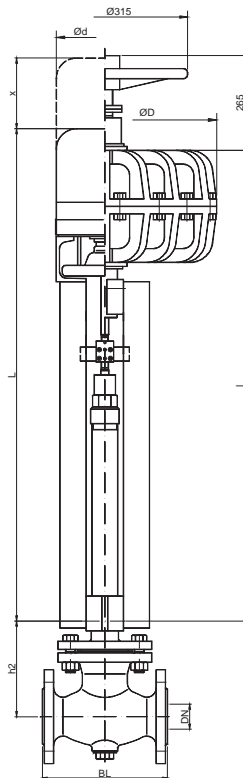
Actuator baelz 373...	L	x	Ø d	l	Ø D
	mm				
E 40	577	185	184		
E 60	601	185	184		
P 31				509	384
P 32				525	384
P 41				562	506
P 41 V6				687	506

baelz 346-EMB DN 150



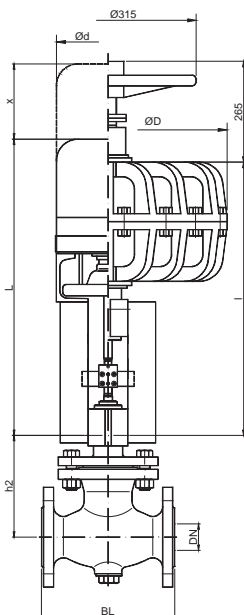
00002019.wmf

baelz 346-22-K DN 65 - 125



00003310.wmf

baelz 346-22 DN 65 - 125



00003307.wmf

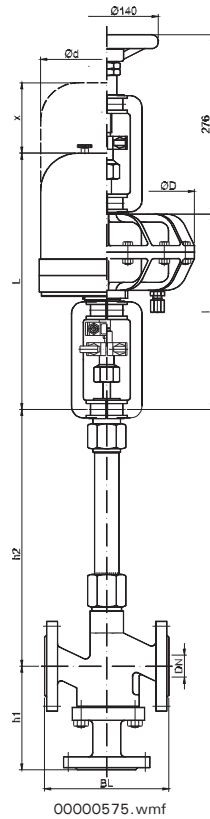
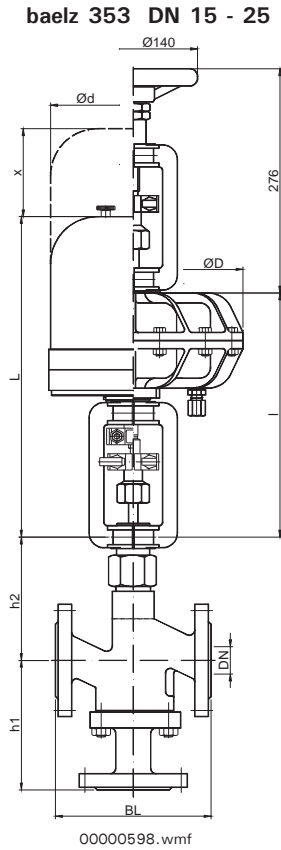
DN	BL	h 2 PN 16/25	h 2 PN 40
mm			
65	290	205	209
80	310	212	216
100	350	232	236
125	400	284	288

Actuator baelz 373...	L	L	x	Ø d	l	l	Ø D
	346- 22	346- 22-K			346- 22	346- 22-K	
mm							
E 40	577	1057	185	184			
E 60	601	1081	185	184			
P 31					509	989	384
P 32					525	1005	384
P 41					562	1042	506
P41 V6					687	1167	506

Rights reserved to make technical changes

Bälz-electrodyn - control valves and control actuators

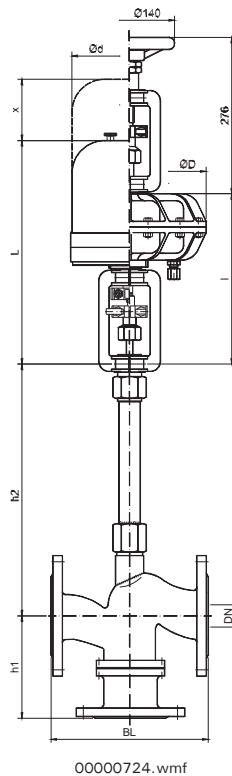
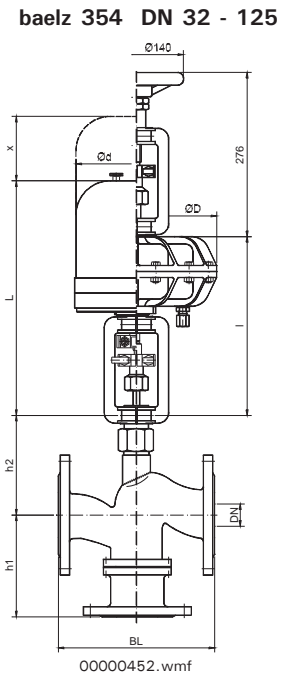
baelz 353-K DN 15 - 25



DN	BL	h 1	h 2 353	h 2 353-K
mm				
15	130	111	104	262
20	150	111	104	262
25	160	111	114	272

Actuator baelz 373...	L	x	Ø d	l	Ø D
	mm				
E 02	293	90	129		
E 06	296	130	129		
E 07	317	145	129		
E 11	499	180	183		
E 40	391	185	184		
P 21				268	242
P 21 V6				304	242
P 22				322	242

baelz 354-K DN 32 - 125



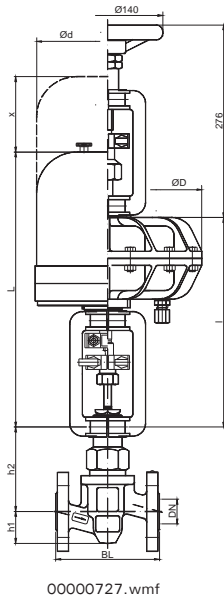
DN	BL	h 1*	h 2* 354	h 2* 354-K
mm				
32	180	160	145	381
40	200	160	145	381
50	230	170	150	386
65	290	180	154	390
80	310	190	157	393
100	350	200	165	401
125	400	220	175	411

*reserved to change dimensions

Rights reserved to make technical changes

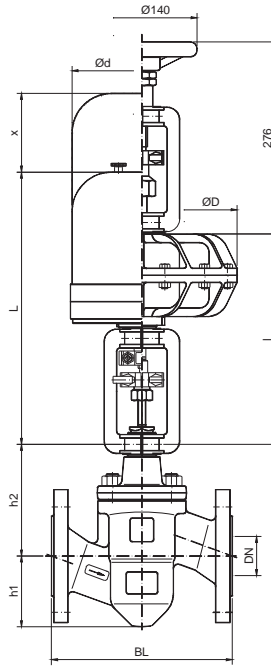
Bälz-electrodyn - control valves and control actuators

baelz 356 DN 15 - 25



00000727.wmf

baelz 356 DN 32 - 65

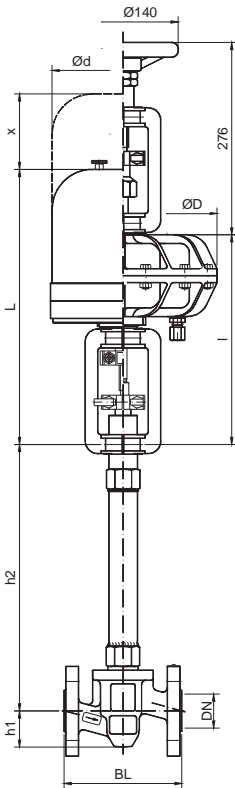


00000458.wmf

DN	BL	h 1	h 2 356	h 2 356-K
mm				
15	130	40	106	331
20	150	45	106	331
25	160	55	106	331
32	180	62	111	358
40	200	73	132	372
50	230	90	142	382
65	290	101	182	425

baelz 356-K DN 15 - 25

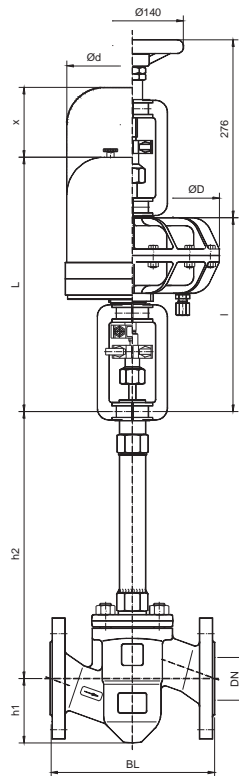
baelz 356-K-SS DN 15 - 25



00000730.wmf

baelz 356-K DN 32 - 65

baelz 356-K-SS DN 32 - 65



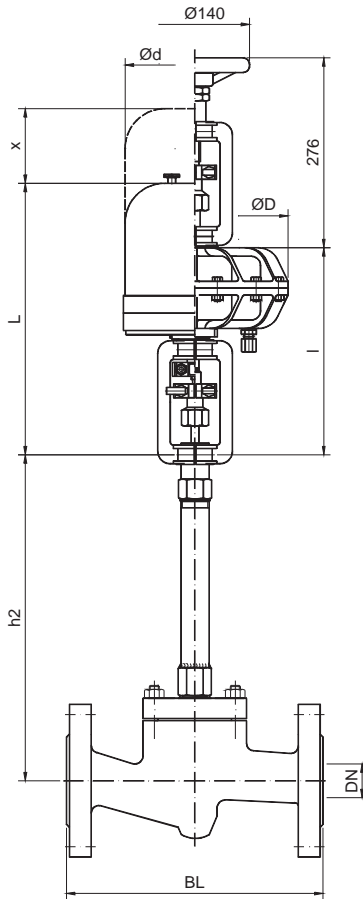
00000455.wmf

Actuator baelz 373...	L	x	Ø d	l	Ø D
mm					
E 02	293	90	129		
E 06	296	130	129		
E 07	317	145	129		
E 11	499	180	183		
E 40	391	185	184		
P 21				268	242
P 21 V6				304	242
P 22				322	242

Rights reserved to make technical changes

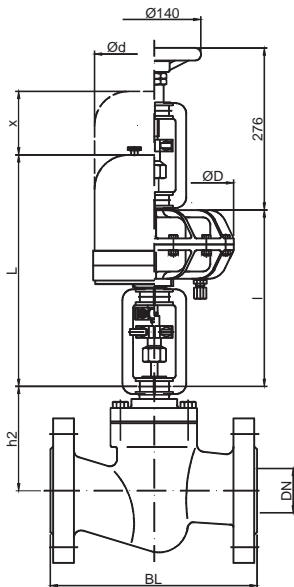
Bälz-electrodyn - control valves and control actuators

baelz 358-K DN 15 - 65
baelz 359-K DN 15 - 65



00000461.wmf

baelz 359-ASA DN 15 - 125



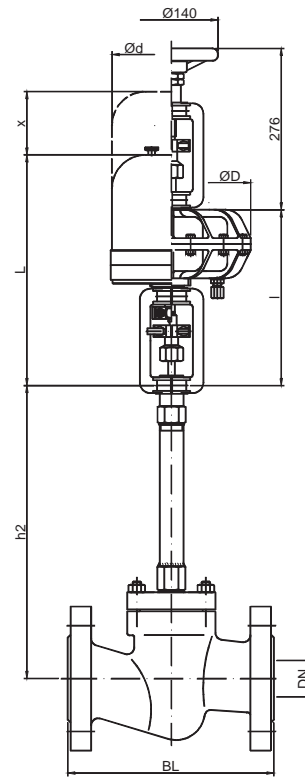
00003898.wmf

DN	BL			h 2*
	PN 63	PN 100	PN 160	
m.m				
15	210	210	210	370
20	230	230	230	370
25	230	230	230	380
32	260	260	260	384
40	260	260	260	389
50	300	300	300	409
65	340	340	340	449

*reserved to change dimensions

Actuator baelz 373...	L	x	Ø d	l	Ø D
	m.m				
E 02	293	90	129		
E 06	296	130	129		
E 07	317	145	129		
E 11	499	180	183		
E 40	391	185	184		
P 21				268	242
P 21 V6				304	242
P 22				322	242

baelz 359-ASA-K DN 15 - 125



00003804.wmf

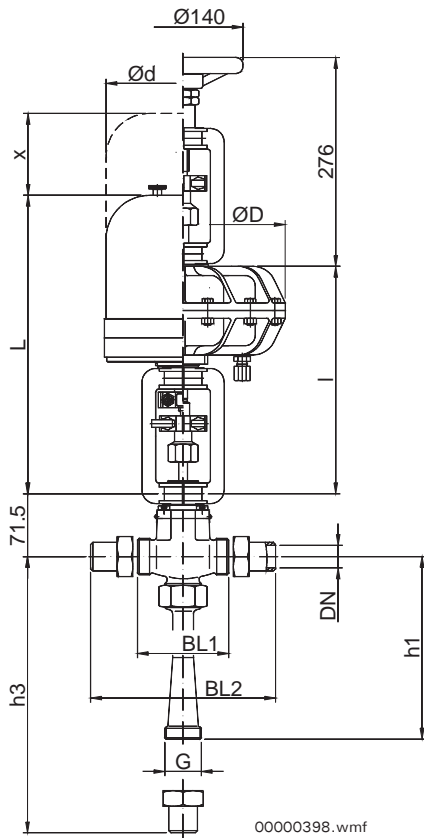
NPS	BL		h2*	
	ANSI 150	ANSI 300	359-ASA	359-ASA-K
m.m				
½	108	152	260	380
¾	118	173	260	380
1	127	203	260	390
1 ¼	140	216	315	400
1 ½	165	229	315	405
2	203	267	315	420
2 ½	216	292	450	550
3	241	318	470	570
4	292	356	500	650
5	356	400	690	800

*reserved to change dimensions

Rights reserved to make technical changes

Bälz-electrodyn - control valves and control actuators

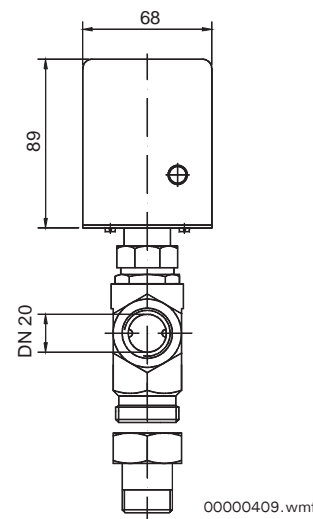
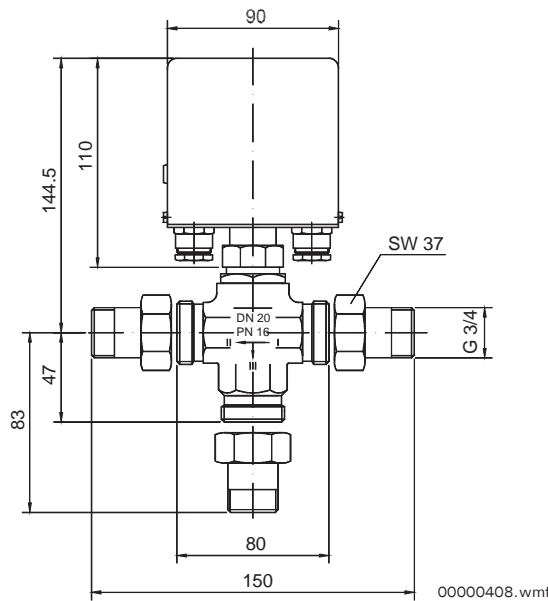
baelz 471 DN ½ - 1 ½



DN	h 1	h 3	BL 1	BL 2	G	
						mm
½"	15	126	162	92	164	¾
¾"	20	153	189	95	167	1
1"	25	210	251	105	187	1 ¼
1 ¼"	32	245	286	105	187	1 ½
1 ½"	40	311	357	114	206	2

Actuator baelz 373...	L	x	Ø d	l	Ø D
E 02	293	90	129		
E 06	296	130	129		
E 07	317	145	129		
E 11	499	180	183		
P 21				268	242

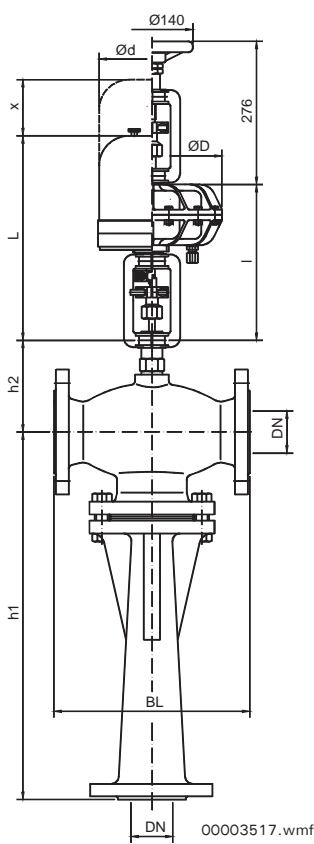
baelz 475 DN ¾



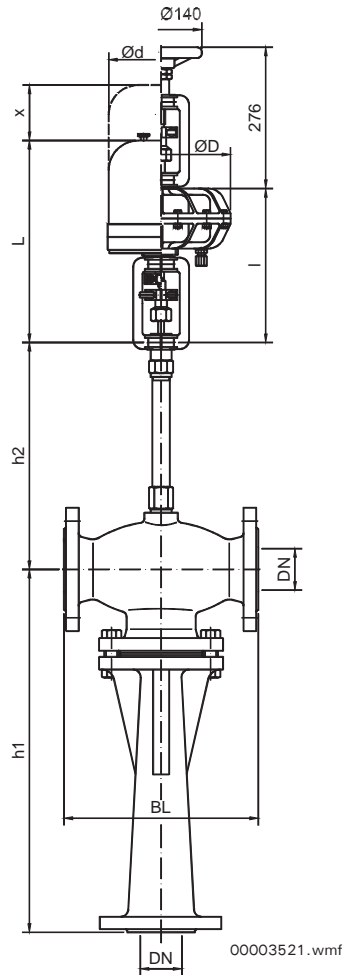
Rights reserved to make technical changes

Bälz-electrodyn - control valves and control actuators

baelz 480 DN 15-125



baelz 480-K DN 15-125



DN	BL	h 1 PN 16/25	h 1* PN 40	h 1* PN 16/25	h 2 480	h 2 480-K
mm						
15	130	175	176	-	109	261
25	160	202	229	-	110	263
32	180	302	302	-	104	339
40	200	358	358	-	114	349
50	230	402	429	-	124	359
65	290	539	573	-	144	379
80	310	600	695	-	154	389
100	350	624	912	912	169	404
125	400	836	1066	1066	189	424

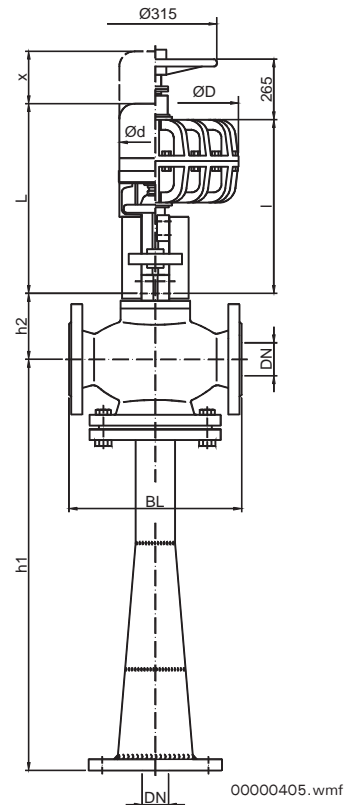
*with welded diffusor

Actuator baelz 373...	L	x	Ø d	l	Ø D
mm					
E 02	293	90	129		
E 06	296	130	129		
E 07	317	145	129		
E 11	499	180	183		
E 40	391	185	184		
P 21				268	242
P 21 V6				304	242
P22				322	242

DN	BL	h 1	h 2
mm			
150	480	1260	244
200	600	1651	268
250	730	2070	317
300	850	2460	361

Actuator baelz 373...	L	x	Ø d	l	Ø D
mm					
E 40	577	185	184		
E 60	601	185	184		
P 31				509	384
P 32				525	384
P 41				562	506
P 41 V6				687	506

baelz 480 DN 150-300

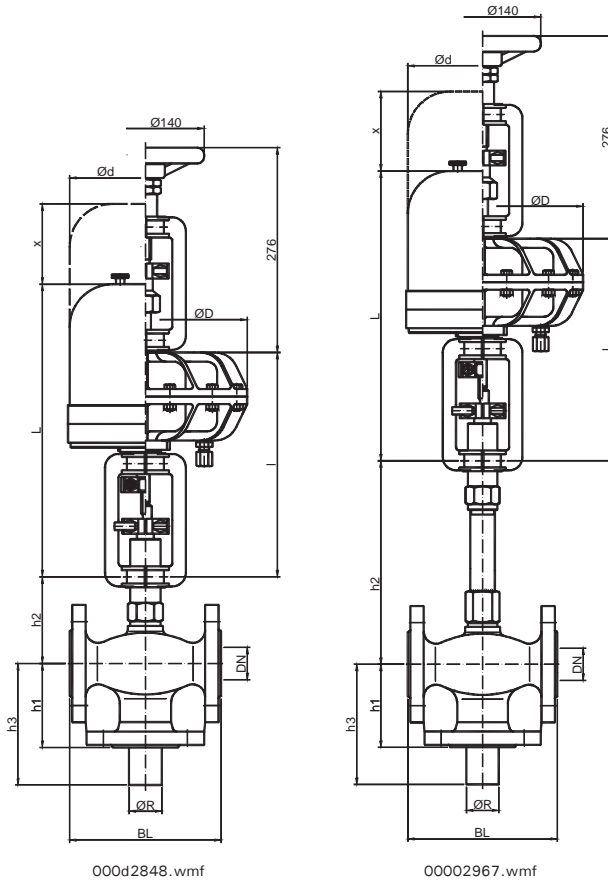


Rights reserved to make technical changes

Bälz-electrodyn - control valves and control actuators

baelz 585 DN 15-125

baelz 585-K DN 15-125



000d2848.wmf

00002967.wmf

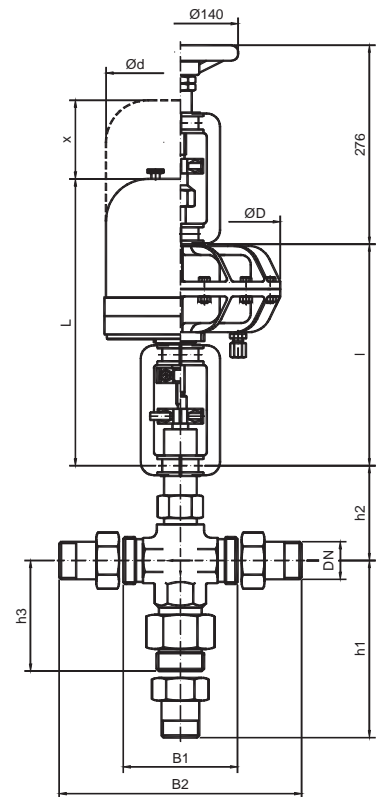
DN	BL	ØR	h 1	h 2 585	h 2 585-K	h 3*
mm						
15	130	15	85	109	261	142
25	160	26	85	110	262	142
32	180	35	100	104	339	157
40	200	41	105	114	349	162
50	230	52	115	124	359	172
65	290	68	125	144	379	182
80	310	80	130	154	389	187
100	350	105	150	169	404	207
125	400	128	200	189	424	257

*reserved to change dimensions

Actuator baelz 373...	L	x	Ø d	l	Ø D
mm					
E 02	293	90	129		
E 06	296	130	129		
E 07	317	145	129		
E 11	499	180	183		
E 40	391	185	184		
P 21				268	242
P 21 V6				304	242
P22				322	242

DN	B 1	B 2	h 1	h 2	h 3
mm					
G ¾	80	152	150	101	114
G 1	90	174	136	101	94
G 1 ½	115	198	170	87	129

baelz 586 DN ¾", 1", 1 ½"

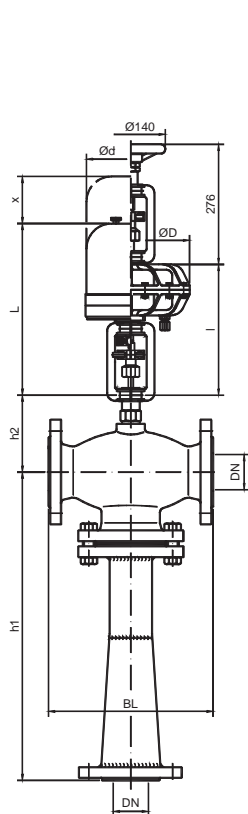


00002854.wmf

Rights reserved to make technical changes

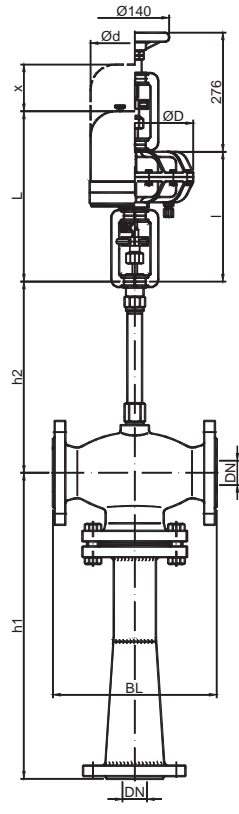
Bälz-electrodyn - control valves and control actuators

baelz 590 DN 15-125



00003524.wmf

baelz 590-K DN 15-125



00003527.wmf

DN	BL	h 1* PN 16/25	h 1** PN 16/25/40	h 2 590	h 2 590-K
mm					
15	130	175	176	109	261
25	160	202	229	110	263
32	180	302	302	104	339
40	200	358	358	114	349
50	230	402	429	124	359
65	290	539	573	144	379
80	310	600	695	154	389
100	350	624	912	169	404
125	400	836	1066	189	424

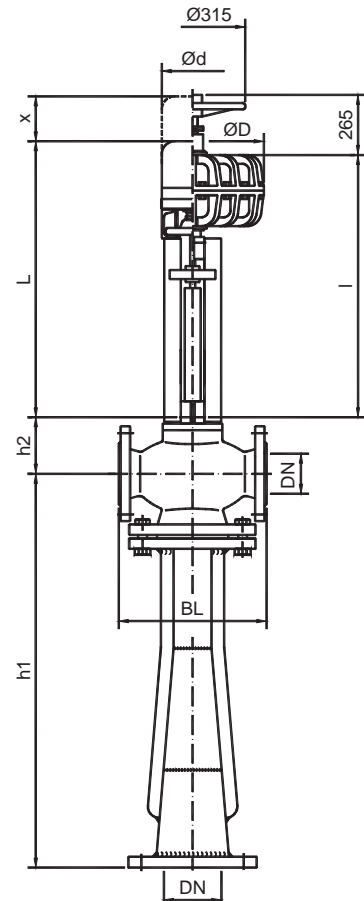
*with throat in stainless steel

**with welded diffusor, throat in stainless steel

*/**reserved to change dimensions

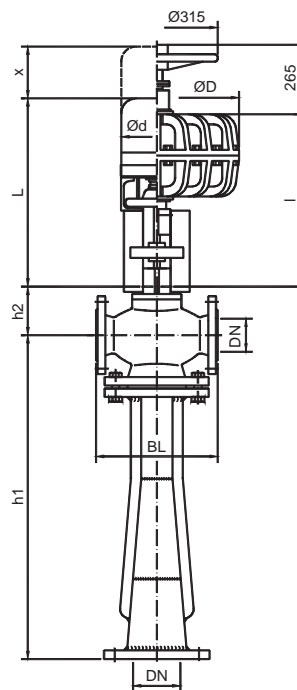
Actuator baelz 373...	L	x	Ø d	l	Ø D
mm					
E 02	293	90	129		
E 06	296	130	129		
E 07	317	145	129		
E 11	499	180	183		
E 40	391	185	184		
P 21				268	242
P 21 V6				304	242
P 22				322	242

baelz 590-K DN 150-300



00000943.wmf

baelz 590 DN 150-300



00000946.wmf

DN	BL	h 1*	h 2 590	h 2 590-K
mm				
150	480	1260	244	234
200	600	1651	268	258
250	730	2070	317	307
300	850	2460	361	351

*reserved to change dimensions

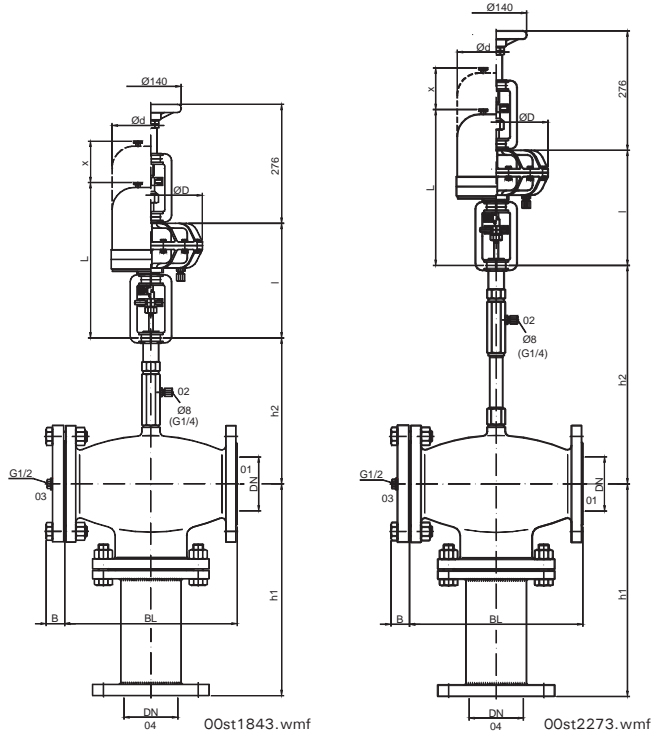
Actuator baelz 373...	L 590	L 590-K	x	Ø d	l 590	l 590-K	Ø D
mm							
E 40	577	1057	185	184			
E 60	601	1081	185	184			
P 31					509	989	384
P 32					525	1005	384
P 41					562	1042	506
P 41 V6					687	1167	506

Rights reserved to make technical changes

Bälz-electrodyn - control valves and control actuators

baelz 591 DN 32-125

baelz 591-K DN 32-125



DN	BL	h 1*	h 2 591	h 2 591-K	B
mm					
32	180	175	254	488	33
40	200	222	264	498	33
50	230	283	274	508	35
65	290	469	294	528	37
80	310	576	304	538	39
100	350	737	319	553	39
125	400	797	339	573	43

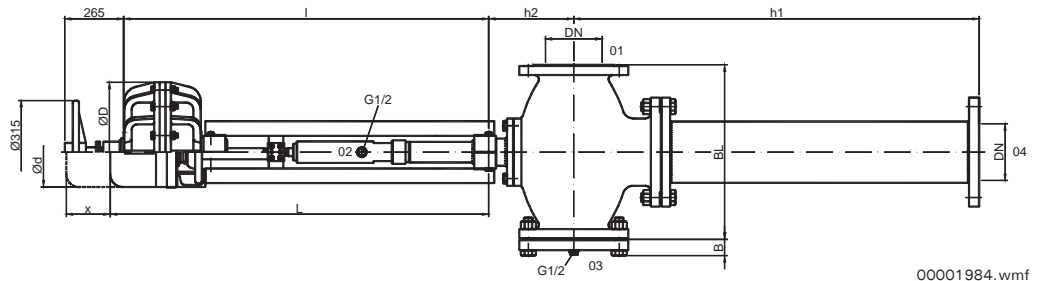
*reserved to change dimensions

Actuator baelz 373...	L	x	Ø d	l	Ø D
mm					
E 02	293	90	129		
E 06	296	130	129		
E 07	317	145	129		
E 11	499	180	183		
E 40	391	185	184		
P 21				268	242
P 21 V6				304	242
P22				322	242

DN	BL PN 16-40	BL* PN 63	B PN 16	B PN 25	B PN 40	B PN 63	h 1* PN 16-40	h 1* PN 63	h 2 591 PN 16-40	h 2* 591 PN 63	h 1 591-K PN 16-40	h 1* 591-K PN 63
mm												
150	480	550	37	45	45	57	1116	1136	434	450	244	260
200	600	650	39	47	53	65	1357	1450	458	560	268	370
250	730	775	43	51	59	69	1597	1696	507	685	317	495
300	850	900	45	53	63	75	2090	2240	551	760	361	570

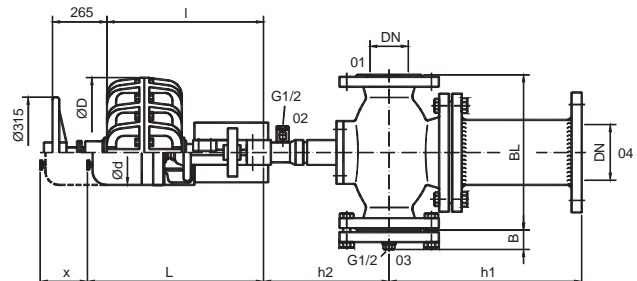
*reserved to change dimensions

baelz 591-K DN 150-300



00001984.wmf

baelz 591 DN 150-300



00st1553.wmf

Actuator baelz 373...	L 591	L 591-K	x	Ø d	l 591	l 591-K	Ø D
	mm						
E 40	577	1057	185	184			
E 60	601	1081	185	184			
P 31					509	989	384
P 32					525	1005	384
P 41					562	1042	506
P 41 V6					687	1167	506

Rights reserved to make technical changes